



Sps "j orj i an uoTer end faueri"  
teqniki eqsper tizis da proeqti rebis departamenti  
saproeqto samsaxuri

mTawmi nda-krwani sis rai oni . zal dastani Svi l i s q. #21.  
S.p.s. "zal dastani Svi l i 21"-is obieqtis (s.k.#01.15.05.004.014)  
wyal saden-kanal izaci is gare qsel is mowyobis proeqti.

Tbi l i si 2021

wi namdebare proeqti reba Sesrul ebul i a gare  
wyal momarageba-kanal izaci is qsel ebzesani tarul i norme bi s  
2.04.02-84 2.04.03-85 Tanaxmad.  
samuSaoTa organi zaci a da mi Reba-Cabarebi s norme bi s  
3.05.04-85 Tanaxmad.

dakveTa #	# IN21-0503911 (885-886)
stadi a	muSa proeqti (mp)

naxazebis uwyisi

# rigze	naxazis dasaxel eba	furc. #
1.	saerTo monacemebi.	wk-1
2.	gegma arsebul i da saproeqto kanal izaciis qsel ebis datani T.	wk-2
3.	saproeqto wyal mzomis Wa. miwis Txrili is gani vi kveTi.	wk-3
4.	saproeqto wyal mzomis Wa. miwis Txrili is gani vi kveTi.	wk-4
5.	saprrroeqto kanal izaciis qsel is grZivi profil i.	wk-5
6.	saproeqto kanal izaciis Wa. miwis Txrili is gani vi kveTi.	wk-6

proeqtis ganmarteba

mTawmi nda-krwani sis rai oni . zal dastani Svili s q. #21. S.p.s. "zal dastani Svili 21"-is obieqtis (s.k.#01.15.05.004.014) wyal saden-kanal izaciis gare qsel is mowyobis proeqti. proeqti damuSavebul ia S.p.s. `j orj ian uoTer end faueri --s axal i mi erTebebi samsaxuris #IN21-0503911 weril is safuZvel ze da bi znescentris rainul i samsaxuris mier gacemul i teqniki uri pi robi s Tanaxmad. obieqtis wyal momarageba gaTval iswinebul ia pol ikarpe kakabaZis quCaze arsebul i wyal sadenis fol . d=900mm-ian mil idan. saproeqto wyal sadenis qsel is mosawyobad ki gaTval iswinebul ia pol ietili enis PE100 SDR11 PN16 d=110 mm-iani mil iT, roml is sigrZe l=28 metria, PE100 SDR11 PN16 d=90 mm-iani mil iT, roml is sigrZe l=4 metria, PE100 SDR11 PN16 d=50 mm-iani mil iT, roml is sigrZe l=4 metria, xol o obieqtis wiTel xazebTan gaTval iswinebul ia saproeqto wyal mzomis kvanZis mowyoba. kanal izaciis rai onul i samsaxuris mier gacemul i teqniki uri daval ebis safuZvel ze, obieqt ebi dan Camdinare wyl ebis CarTva SesaZl ebel ia ganxorci erdes obieqtTan arsebul sakanal izacio qsel ze sap. Wis daerTebi T, roml is si Rrme H=1.00 metria, xol o saproeqto kanal izaciis qsel is mowyoba ki gaTval iswinebul ia pol ietili enis SN8 D=150 mm mil iT, roml is sigrZea l=25 metri. SN8 D=200 mm mil iT, roml is sigrZea l=7 metri. SN8 D=250 mm mil iT, roml is sigrZea l=26 metri. proeqti damuSavebul ia saqarTvel oSi moqmedi vadagagrZel ebul i saproeqto norme bi s da wesebi s Tanaxmad: C 2.04.02-84 da C 2.04.03-85 „sanitarul i norme bi da wesebi gare wyal momarageba-wyal arinebi s qsel ebze". samuSaoebi s dawyebi s win gamoZaxebul i iqnas arsebul i mi wi sqveSa yvel a komuni kaci ebi s organi zaci ebi s warmomadgenl ebi gadakveTi s adgil ebi s dasazustebl ad da SesaTanxmabl ad saproeqto tranSeaSi mil ebi unda moewyos qvi Si s bal i Sebs Soris (2-5mm fraqcia), mil is qveS 15sm, xol o mil is zemodan 30sm. Semdeg Txrili s Sevseba xdeba qvi Sa-xreSovani safari T (ar unda iqnas gamoyenebul i 80mm-ze zevi T fraqcia - 15%). RorRi s safari unda moewyos 0-40 mm fraqci iT. mSenebl obis dros obieqtze adami ani s janmrTel obis Tvi s saSi Si samSenebl o masal ebi s demontajis da transportirebi s dros gaTval iswinebul iqnas muSa personal is janmrTel obis da Sromis usafrTxoebi s norme bi .

Seni Svna:

- saproeqto qsel is mSenebl obis sas maqsi marul ad iqnas dacul i qanobis sizuste proeqtirebi s mi xedvi T. saproeqto kanal izaciis qsel is mowyobamdes dazustebul i iqnas mi wi sqveSa gamaval i yvel a saxi s komuni kaci a.

saerTo miTi Tebebi

- samuSaoebi s dawyebamde dazustebul iqnas trasebi s gaswvri v sai nJi nro komuni kaci ebi s arsebob a.
- wi namdebare proeqti Sesrul ebul ia gare wyal momarageba-kanal izaciis qsel is C 2.04.02-84 da C 2.04.03-85 mi Ti Tebebi s Tanaxmad.
- samuSaoTa warmoebi s zedamxedvel oba da mi Reba-Cabareba ganxorci el des C 3.05.04-85 mi xedvi T.
- obieqtis saproeqto CarTvebi arsebul qsel ebTan dazustebul i da SeTanxmebel i iqnas S.p.s. "j orj ian uoTer end faueri"-s rai oni s wyal saden-kanal izaciis qsel ebi s saeqspl oataci o samsaxurebTan.
- mi wi s samuSaoebi s warmoebi s asuci l ebel ia geol ogi s zedamxedvel oba.
- samontaJo samuSaoebi s warmoeba ganxorci el des mil is mwarmoebel i firmi s teqniki uri mi Ti Tebebi s mi xedvi T.
- samuSaoebi s dasrul ebi s Semdeg mil sadenebi gamoi cados dawesebul i norme bi s Tanaxmad.

formati	stadi a	variant i
A3	mp.	1

pi robi Ti aRni Svnebi :

- asfal ti s gza
- RorRi s fena
- qvi Sa-xreSovani fena
- adgil obrivi grunti
- qvi Si s fena


Seni Svnebi	
1.	samuSaoebi s warmoebi s dacul i iqnas usafrTxoebi s wesebi .
2.	gamagreba moewyos H=1.70 m CaRrmavebi s Semdeg.
3.	Txrili s gaTxris dros saval debul oa geol ogi s daswreba.

damkveTi

S.p.s. zal dastani Svili 21

dakveTa #IN21-0499636 (730-731)

Semsrul ebel i



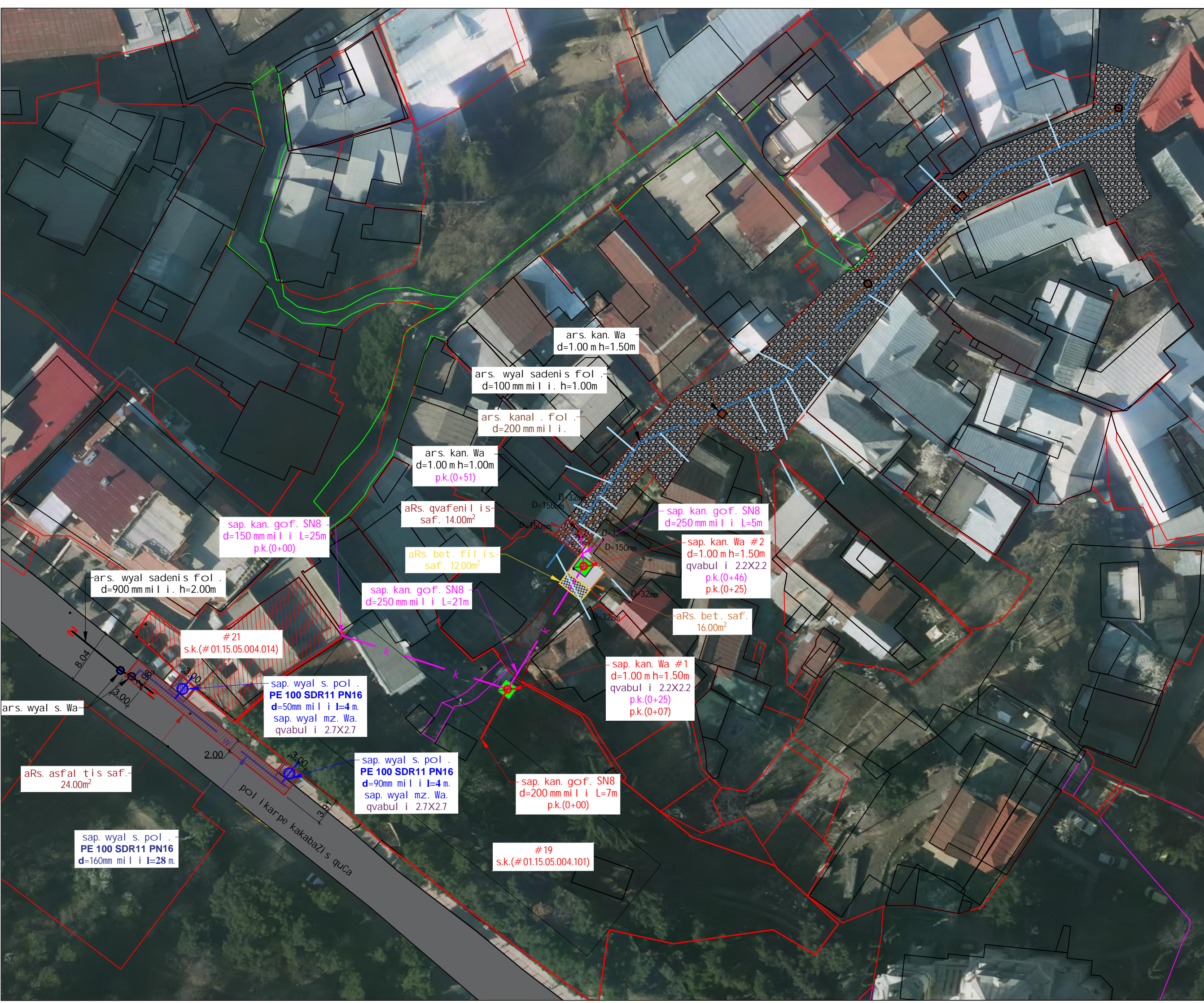
S.p.s."j orj ian uoTer end faueri" teqniki uri eqsperti zis da proeqti rebi s departamenti -saproeqto samsaxuri Tbil isi, medea (mzia) j uRel is quCa #10.

sap. axal i mi er. sam. ufrosi	s. j afari Ze	
proeqtis xel mZRvanel i	n. imnaZe	
Seasrul a	n. imnaZe	
Seamowma	n. TeTraZe	

mTawmi nda-krwani sis rai oni . zal dastani Svili s q. #21. S.p.s. "zal dastani Svili 21"-is obieqtis (s.k.#01.15.05.004.014) wyal saden-kanal izaciis gare qsel is mowyobis proeqti.

Tari Ri	mai si 2021	
naxazi		
saerTo monacemebi		
masStabi	furcel i #	furcl ebi
----	wk-1	6





formati	stadia	varianti
A3	m.p.	1

pi ro bi Ti aRni Svnebi:

- k — ars. kanal izaciis mil i
- w — ars. wyal sadenis mil i
- ⊙ ars. kanal izaciis Wa
- w — sap. wyal sadenis mil i
- ⊙ sap. wyal mzomis Wa
- k — sap. kanal izaciis mil i
- k — ars. komuni kacia
- k — ars. komuni kacia

- ▨ obieqtis wiTel i xazebi
- ▨ adgil obrivi grunti
- ▨ aRs. asfal tis safari
- ▨ asfal ti

**Seni Svna:**

1. saproeqto qsel is mSenebl Obi sas maqsi marul ad iqnas dacul i qanObi si zuste proeqti rebi s mi xedvi T. saproeqto kanal izaciis qsel is mowyobamdes dazustebul i iqnas mi wi sqveSa gamaval i yvel a saxi s komuni kacia.

dankveTi

S.p.s. zal dastani Svili 21

dakveTa #IN21-0503911 (885-886)

Semsrul ebel i



S.p.s. "j ori j an uoTer end faueri"  
teqnkurti eqspertizis da proeqti rebi s  
depar tamenti -saproeqto samsaxuri  
Tbil isi, medea (mZla) j uRel is quCa #10.

sap. axal i mi er. sam. ufrosi	s. j afari Ze
proeqtis xel mZRvanel i	n. imnaZe
Seasrul a	n. imnaZe
Seamowma	n. TeTraZe

mTawmi nda-krwani si s rai oni. zal dastani Svili s q. #21. S.p.s. "zal dastani Svili 21"-is obieqtis (s.k.#01.15.05.004.014) wyal saden-kanal izaciis gare qsel is mowyobis proeqti.

Tari Ri mai si 2021

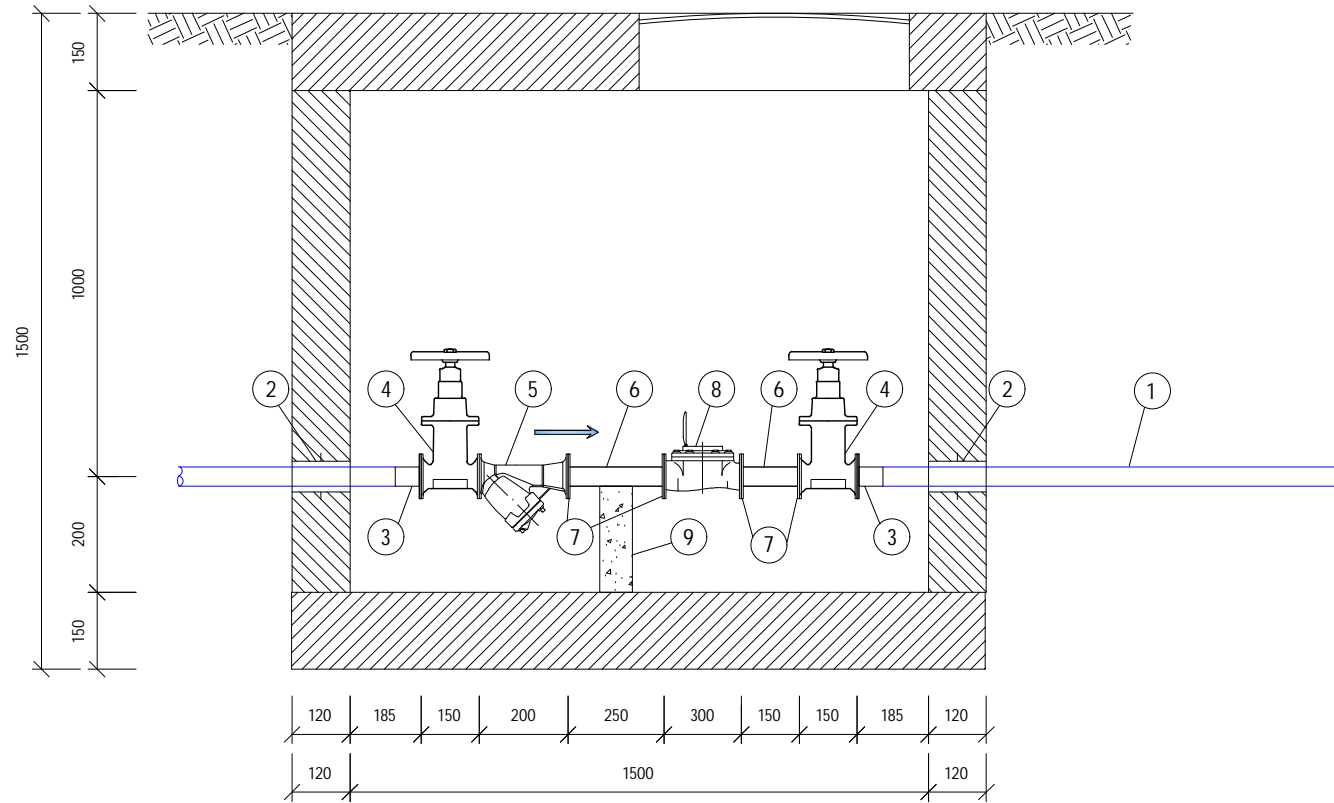
naxazi

gegma arsebul i da saproeqto kanal izaciis qsel ebis datani T.

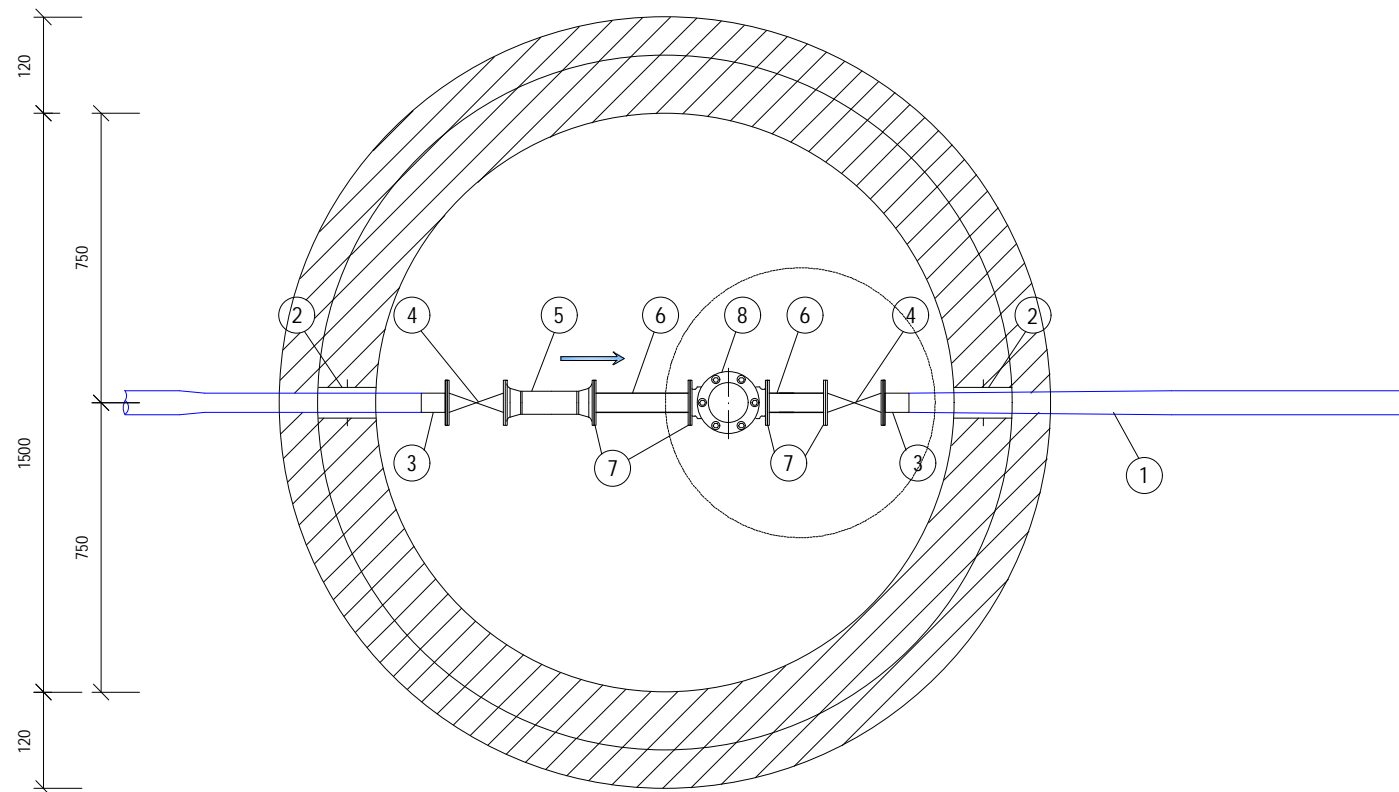
masStabi	furcel i #	furcl ebi
1:250	wk-2	6



# saproeqto wyal mzomi s Wa Wril i l-l



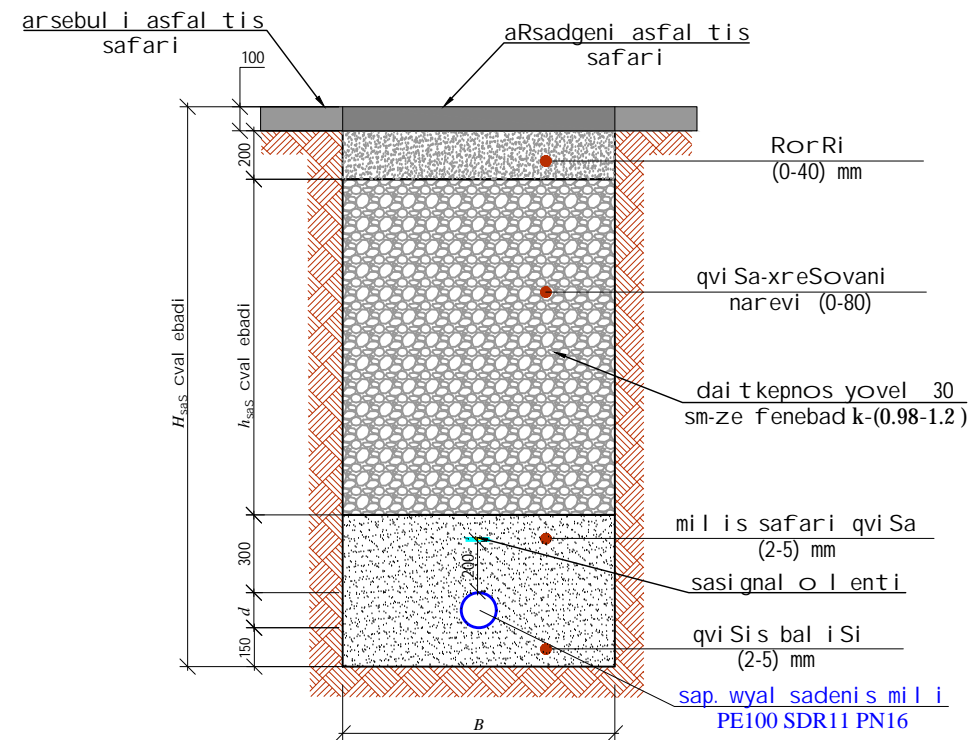
gegma  
m. 1:20



## eqspl i kaci a

- saproeqto pol i eTil enis mi l i PE100 SDR11 PN16 D=50 mm;
- Cobal i  $d=114$  mm;
- adaptori mi l tuCi T  $d=50$  mm;
- urdul i  $d=50$  mm;
- fil tri  $d=40$  mm;
- fol adis mi l yel i  $d=50$  mm;
- mi l tuCi  $d=50$  mm;
- wyal mzomi  $d=40$  mm;
- sayrdeni fol adis mi l i  $d=50$  mm l i Toni s furcl i T;

## wyal wadeni s mi wi s Txril is ganivi kveTi



#	$d$	$H_{saS}$	$B$	$h_{saS}$	$L$ (m)
1	50	1000	700	200	4
2	160	1200	700	290	28

formati	stadi a	variant i
A3	m.p.	1

pi robi Ti aRni Svnebi :

- asfal ti s gza
- RorRi s fena
- qvi Sa-xreSovani fena
- adgil obrivi grun ti
- qvi Si s fena

## Seni Svnebi

- samuSaoebi s warmoebi sas dacul i i qnas usafrTxoebi s wesebi .
- gamagreba moewyos  $H=1.70$  m CaRrmavebi s Semdeg.
- Txril is gaTxris dros saval debul oa geol ogi s daswreba.

damkveTi

S.p.s. zal dastani Svil i 21

dakveTa # IN21-0499636  
(730-731)

Semsrul ebel i



S.p.s."j orJian uoTer end faueri"  
teqnikuri eqsperti zis da proeqt i rebi s  
depar tamenti -saproeqto samsaxuri  
Tbil isi, medea (mzia) j uRel is quCa #10.

sap. axal i mi er. sam. uFrosi	s. j afari Ze	
proeqt is xel mZRvanel i	n. imnaZe	
Seasrul a	n. imnaZe	
Seamowma	n. TeTraZe	

mTawmi nda-krwani sis rai oni .  
zal dastani Svil i s q. #21.  
S.p.s. "zal dastani Svil i 21"-is  
obi eqt is (s.k.#01.15.05.004.014)  
wyal saden-kanal izaci is gare  
qsel is mowyobis proeqt i.

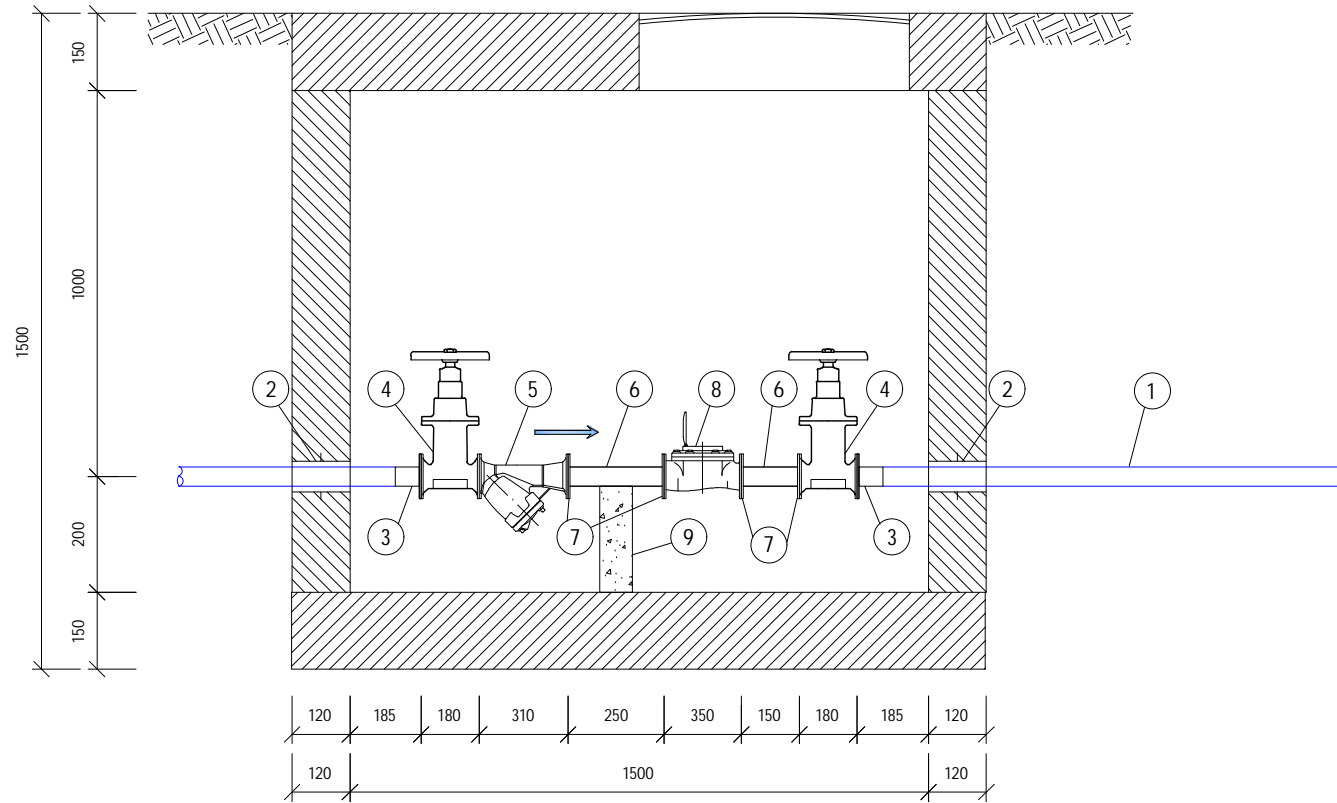
Tari Ri mai si 2021

naxazi

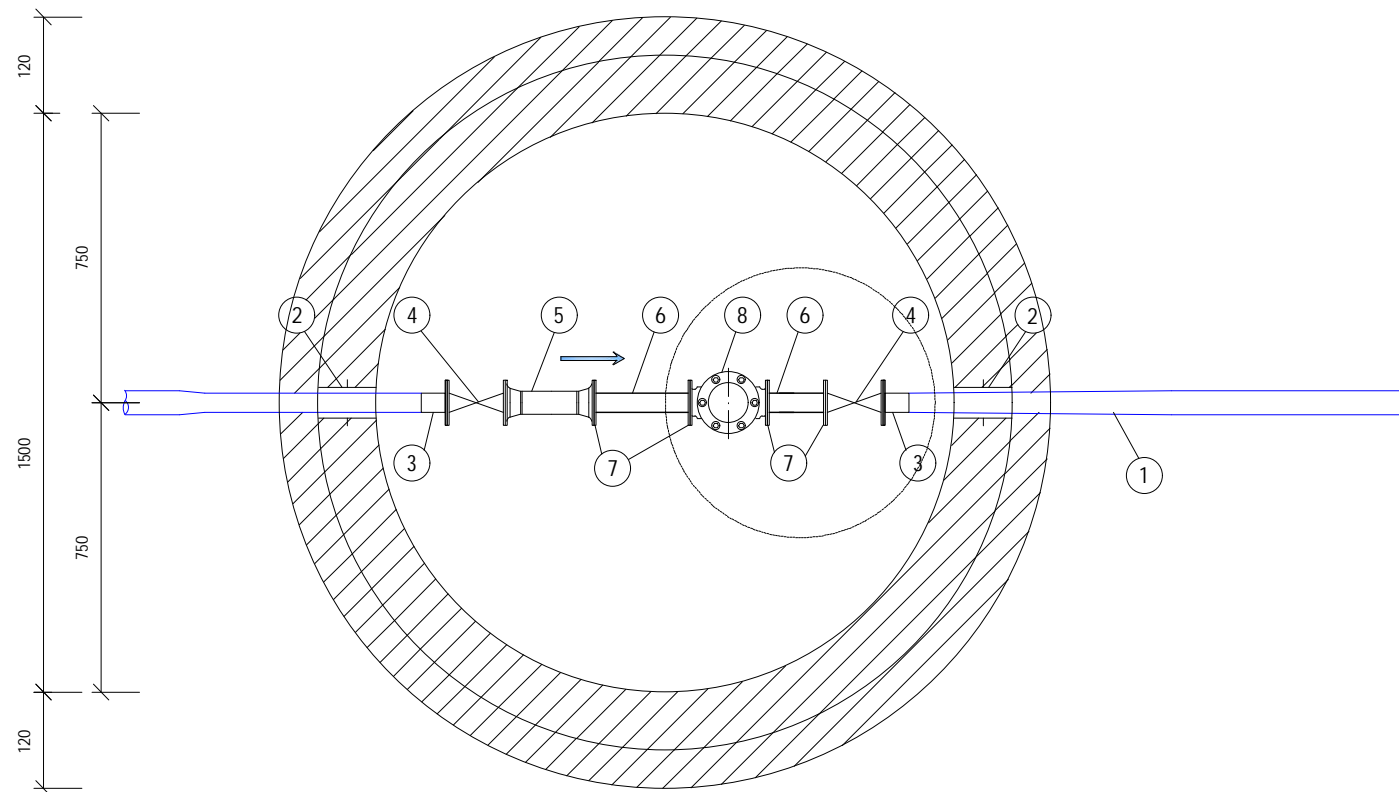
saproeqto wyal mzomi s Wa.  
mi wi s Txril is ganivi kveTi.

masStabi	furcel i #	furcl ebi
----	wk-3	6

# saproeqto wyal mzomi s Wa Wril i l-l



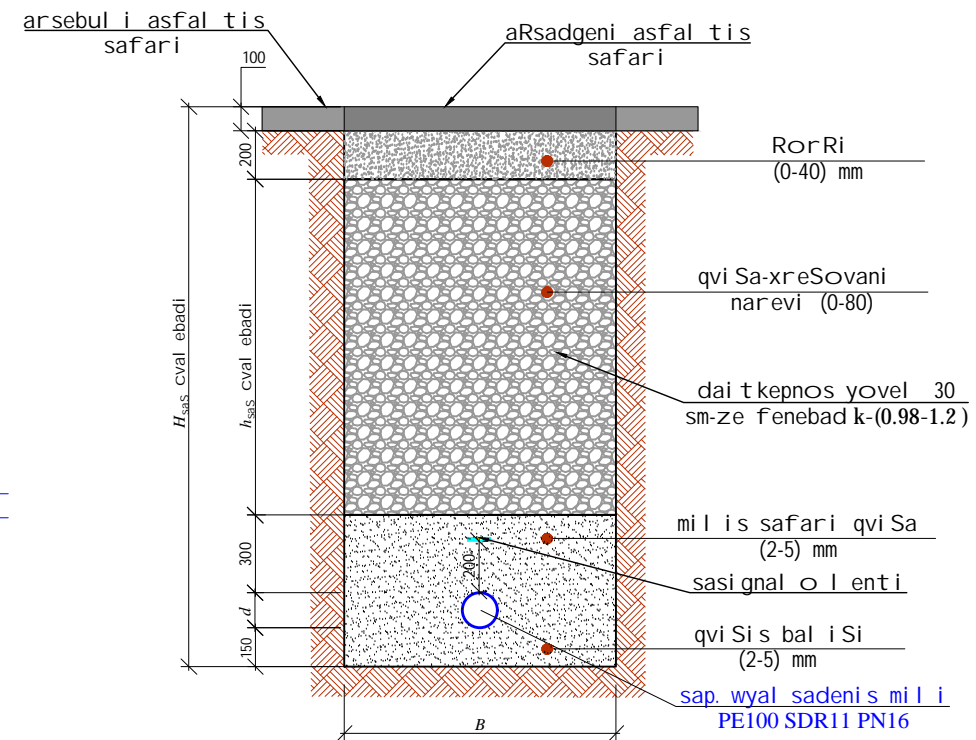
gegma  
m. 1:20



## eqspl i kaci a

- saproeqto pol i eTil enis mi l i PE100 SDR11 PN16 D=90 mm;
- Cobal i  $d=165$  mm;
- adaptori mil tuCi T  $d=90$  mm;
- urdul i  $d=80$  mm;
- fil tri  $d=80$  mm;
- fol adis mil yel i  $d=80$  mm;
- mil tuCi  $d=80$  mm;
- wyal mzomi  $d=80$  mm;
- sayrdeni fol adis mil i  $d=50$  mm l i Toni s furcl i T;

## wyal wadeni s mi wi s Txril is ganivi kveTi



#	$d$	$H_{saS}$	$B$	$h_{saS}$	$L$ (m)
1	90	1200	700	160	4

formati	stadi a	variant i
A3	m.p.	1

pi robi Ti aRni Svnebi:

- asfal tis gza
- RorRi s fena
- qvi Sa-xreSovani fena
- adgil obrivi grunTi
- qvi Si s fena

## Seni Svnebi

- samuSaoebi s warmoebi sas dacul i i qnas usafrTxoebi s wesebi .
- gamagreba moewyos  $H=1.70$  m CaRrmavebi s Semdeg.
- Txril is gaTxris dros saval debul oa geol ogi s daswreba.

damkveTi

S.p.s. zal dastani Svil i 21

dakveTa # IN21-0499636  
(730-731)

Semsrul ebel i



S.p.s. "j orj ian uoTer end faueri"  
teqnikuri eqspertizi s da proeqt i rebi s  
deparamenti -saproeqto samsaxuri  
Tbil isi, medea (mzia) j uRel is quCa #10.

sap. axal i mi er. sam. uFrosi	s. j afariZe	
proeqtis xel mZRvanel i	n. imnaZe	
Seasrul a	n. imnaZe	
Seamowma	n. TeTraZe	

mTawmi nda-krwani sis rai oni .  
zal dastani Svil i s q. #21.  
S.p.s. "zal dastani Svil i 21"-is  
obi eqtis (s.k.#01.15.05.004.014)  
wyal saden-kanal izaci is gare  
qsel is mowyobis proeqti.

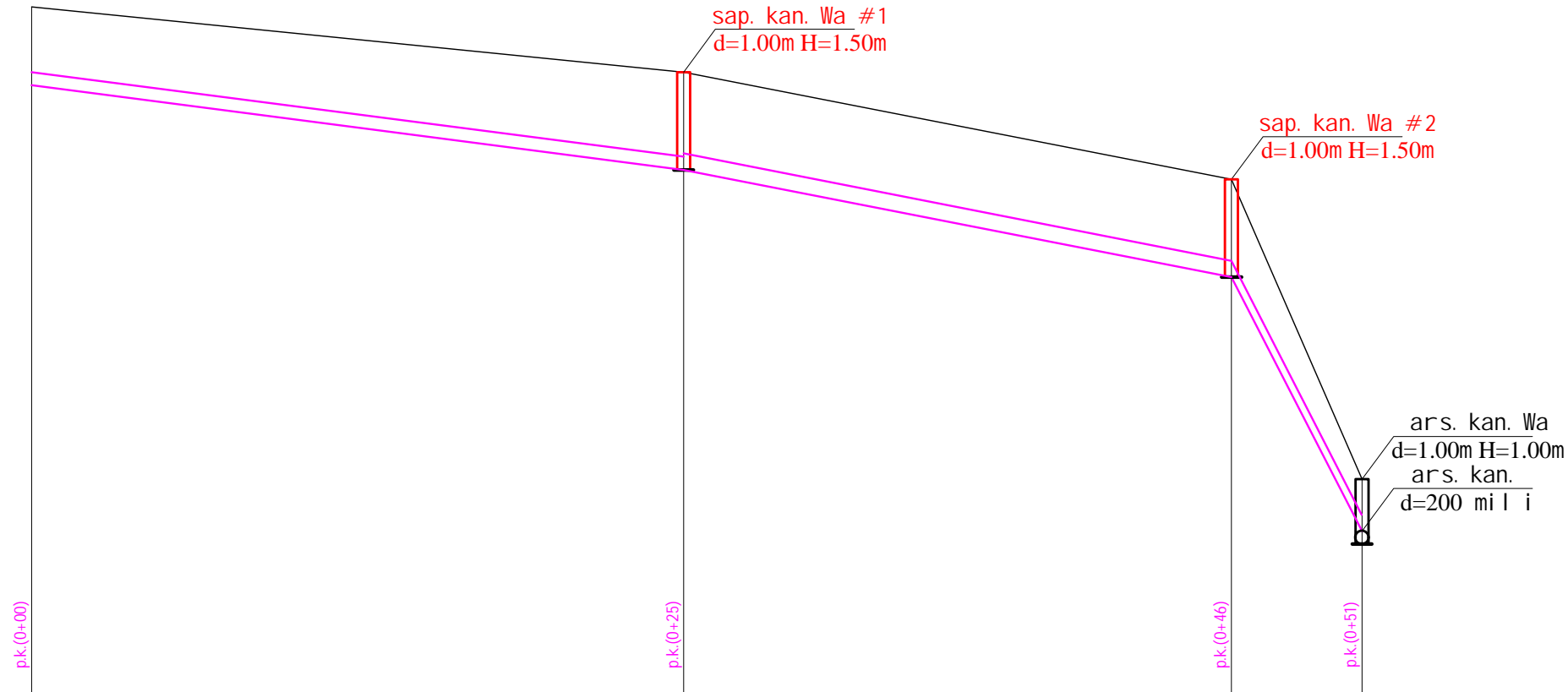
Tari Ri mai si 2021

naxazi

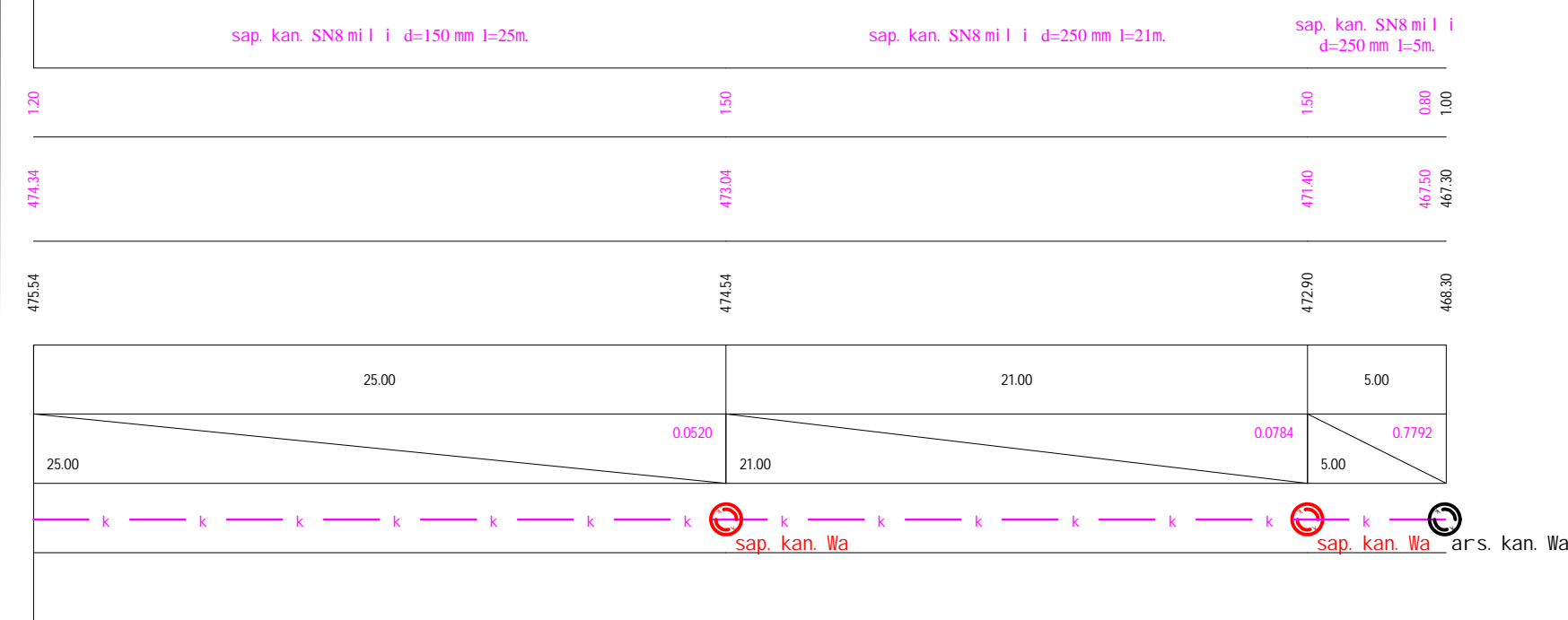
saproeqto wyal mzomi s Wa.  
mi wi s Txril is ganivi kveTi.

masStabi	furcel i #	furcl ebi
----	wk-4	6

kanal izaci is qsel is grZivi profili  
masStabi: v 1:100; h 1:250;



mi l i s masal a diam. si grZe	
mi l i s Zi r i s ni Snul i	
mi l i s CaRrmaveba	1.20
mi l i s Zi r i s ni Snul i	474.34
mi wi s zedapi r i s ni Snul i	475.54
si tuacia	
qanobi	
si grZe	25.00
kuTxeebi	



formati	stada	varianti
A3	m.p.	1

pi robi Ti aRni Svnebi:

- asfal tis gza
- RorRi s fena
- qvi Sa-xreSovani fena
- adgil obrivi grunt i
- qvi Si s fena

- Seni Svnebi**
- samuSaoebi warmoebi sas dacul i i qnas usafrTxoebi s wesebi .
  - gamagreba moewyos H=1.70 m CaRrmavebi s Semdeg.
  - Txril is gaTxris dros saval debul oa geol ogis daswreba.

damkveTi S.p.s. zal dastani Svil i 21

dakveTa #IN21-0499636 (730-731)

Semsrul ebel i

S.p.s."j orj ian uoTer end faueri"  
teqnikuri eqsperti zis da proeqti rebi s depar tamenti -saproeqto samsaxuri Tbil isi, medea (mzia) j uRel is quCa #10.

sap. axal i mi er. sam. ufrosi	s. j afa ri Ze
proeqti s xel mZRvanel i	n. imnaZe
Seasrul a	n. imnaZe
Seamowma	n. TeTraZe

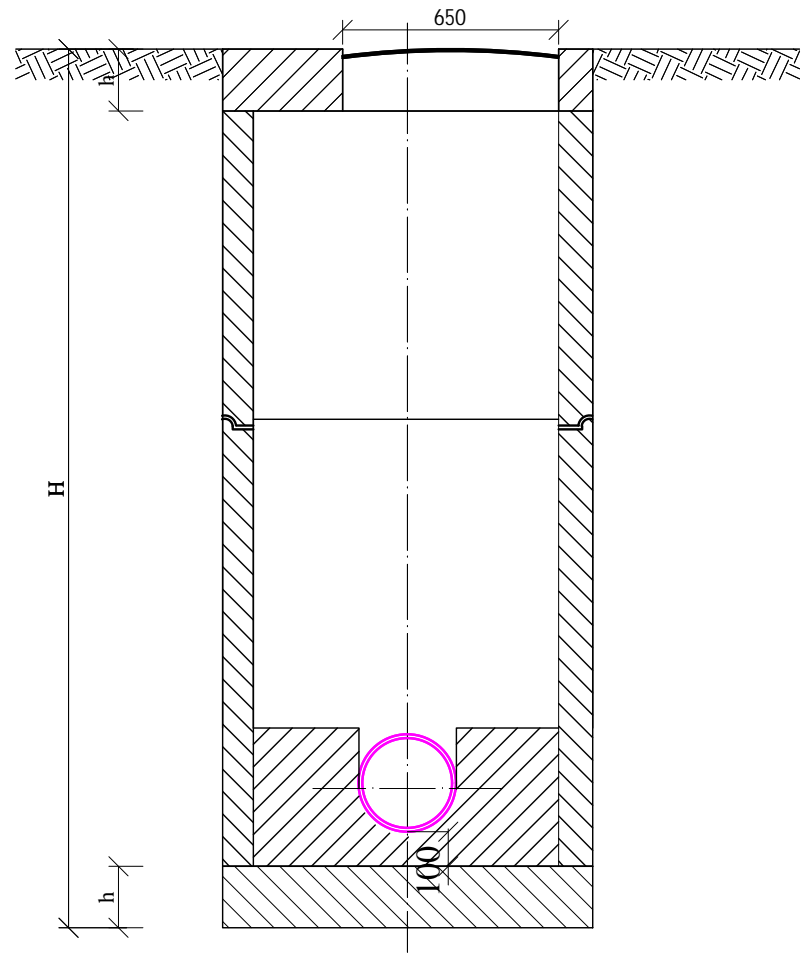
mTawmi nda-krwani sis rai oni . zal dastani Svil is q. #21. S.p.s. "zal dastani Svil i 21"-is obi eqti s (s.k.#01.15.05.004.014) wyal saden-kanal izaci is gare qsel is mowyobis proeqti .

Tari Ri mai si 2021

naxazi sap. kan. grZivi profili .

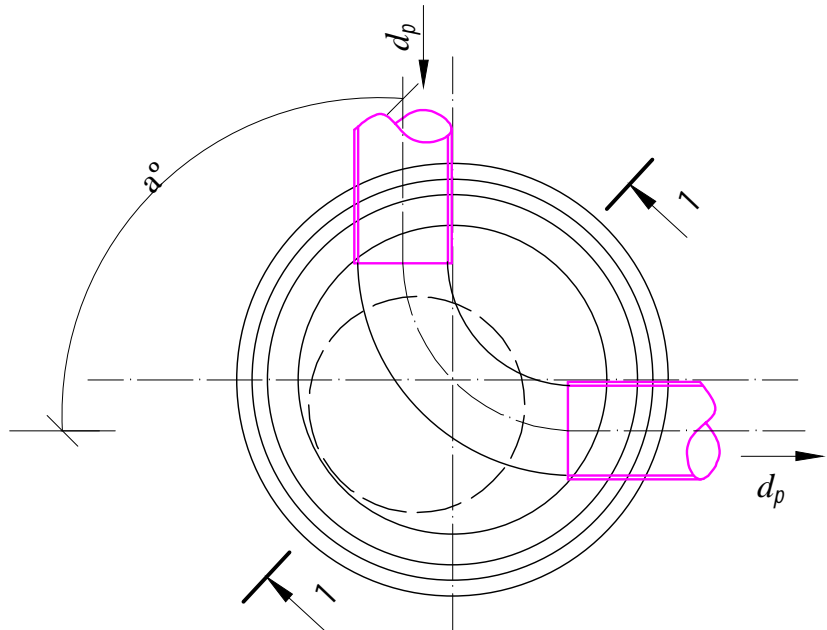
masStabi	furcel i #	furcl ebi
----	wk-5	6

saproeqt o kanal izaciis moxvevi s Wa  
Wri l i l l



gegma

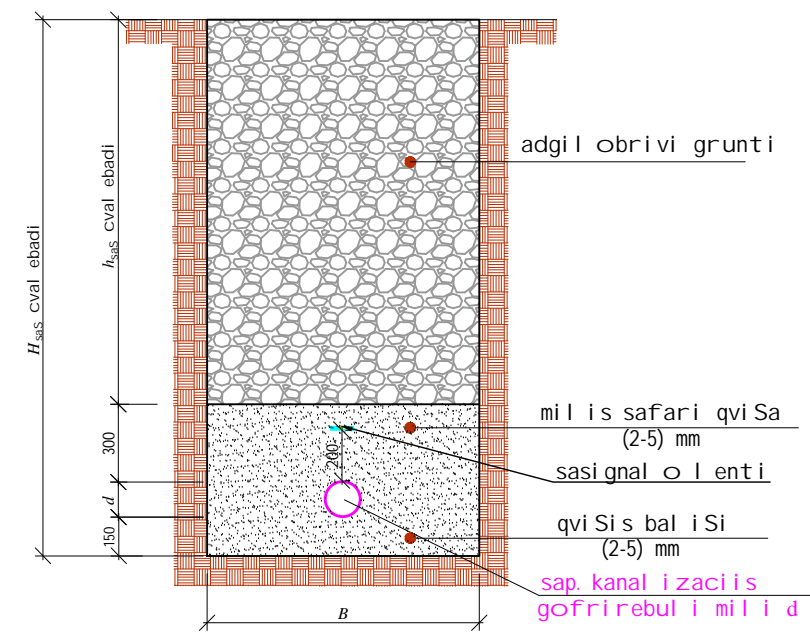
Wis di ametri D	mil is di ametri		Raris si maRI e $h_R$
	Semyvani $d_{p1}$	gamyvani $d_{p2}$	
1000	2	3	4
	100	150	200
	200	200	300
	250	250	350
	300	300	400
	350	350	450
	400	400	500
	450	450	550
1500	500	500	600
	600	600	700
	700	700	800
		800	950
		700	800
	800	800	950
		900	1050
		800	950
900	900	1050	
	1000	1150	
	900	1050	
2000	1000	1000	1150



S e n i S v n a:

Wis gadaxurvis da Ziris fil is sisq e h i x i l e T  
konstruqci ul nawil Si.

kanal izaciis miwis  
Txril is gani vi kveTi



#	d	H <sub>saS</sub>	B	h <sub>saS</sub>	L
1	150	1425	800	625	25
2	200	1575	800	625	7
3	250	1575	800	875	21
4	250	1575	800	575	5

formati	stadi a	variant i
A3	m.p.	1

pi robi Ti aRni Svnebi:

- asfal tis gza
- RorRi s fena
- qvi Sa-xreSovani fena
- adgil obrivi grunti
- qvi Si s fena

- S e n i S v n e b i
- samuSaoebi s war moebi sas dacul i i qnas usafrTxoebi s wesebi .
  - gamagreba moewyos H=1.70 m CaRrmavebi s Semdeg.
  - Txril is gaTxris dros saval debul oa geol ogi s daswreba.

damkveTi  
S.p.s. zal dastani Svil i 21

dakveTa # IN21-0499636  
(730-731)

Semsrul ebel i

S.p.s. "j orj ian uoTer end faueri"  
teqni kur i eqsper ti zis da proeqti rebi s  
depar tamenti -saproeqt o samsaxuri  
Tbil isi, medea (mzia) j uRel is quCa #10.

sap. axal i mi er. sam. ufrosi	s. j afari Ze	
proeqti s xel mZRvanel i	n. imnaZe	
Seasrul a	n. imnaZe	
Seamowma	n. TeTraZe	

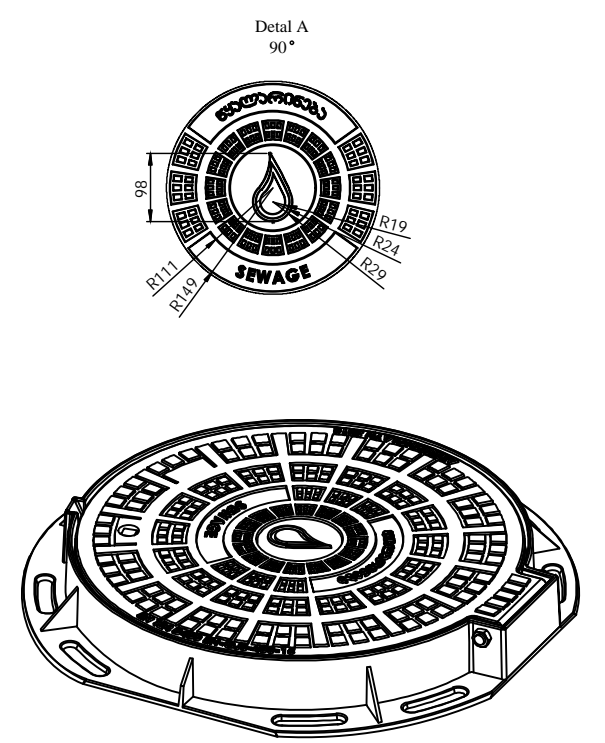
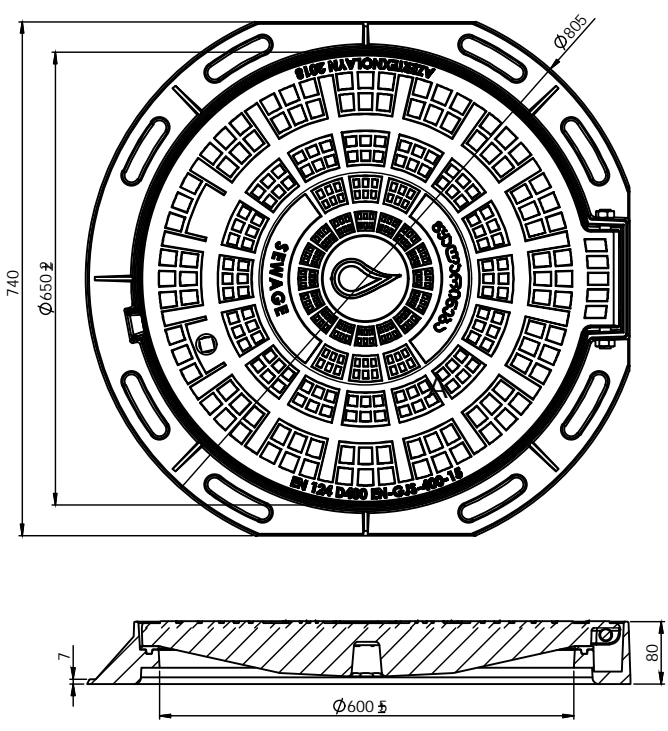
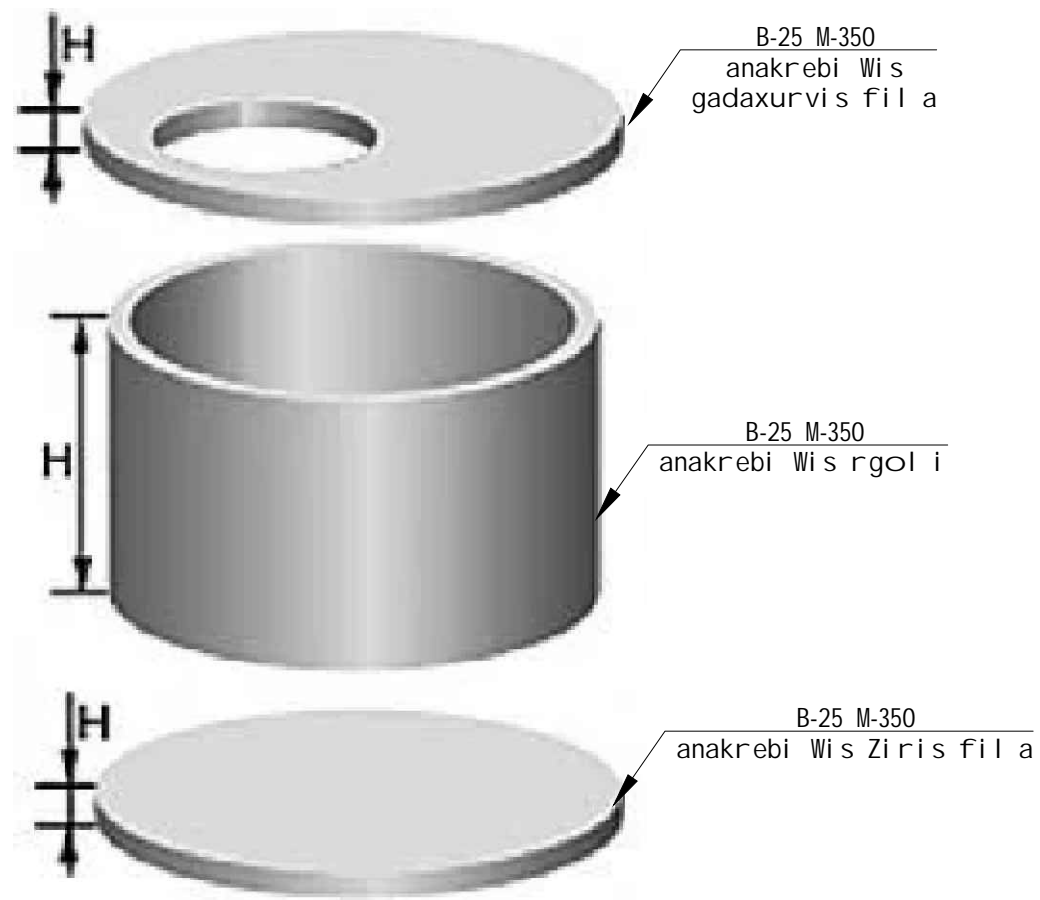
mTawmi nda-krwani sis rai oni .  
zal dastani Svil is q. #21.  
S.p.s. "zal dastani Svil i 21"-is  
obi eqti s (s.k.#01.15.05.004.014)  
wyal saden-kanal izaciis gare  
qsel is mowyobis proeqti.

Tari Ri mai si 2021  
naxazi

saproeqt o kanal izaciis Wa.  
miwis Txril is gani vi kveTi.

masStabi	furcel i #	furcl ebi
----	k-6	6





Q y u y q a p a	1 000	Liter	Kg	Miqyas
D 400	H 80			1:5
SEWAGE		V r q	V r q r	
Yoxladı	EN-GJS-400-15	TEXNİK AVADANLIQLAR STİFƏLƏNİŞİ S MƏH N D S L K Ö B S		
T s. etdi		Format A3		

Format i	stadi a	variant i
A3	m.p.	1

- pi robi Ti aRni Svnebi :
- asfal tis gza
  - RorRis fena
  - qvi Sa-xreSovani fena
  - adgil obrivi grunti
  - qvi Si s fena

- S e n i S v n e b i**
- samuSaoebi s warmoebi sas dacul i i qnas usafrTxoebi s wesebi .
  - gamagreba moewyos H=1.70 m CaRrmavebi s Semdeg.
  - Txril is gaTxris dros saval debul oa geol ogi s daswreba.

dankveTi

S.Ş.s. si Ti boqsi

dakveTa # IN20-0405428 (14973)



S.p.s. "j orj ian uoTer end faueri"  
teqnikuri eqspertizis da proeqti feli s  
depar tamenti -saproeqto samsaxuri  
Tbil isi, medea (mzra) j uRel is quca #10

saproeqtos ufrosi	s. j a f a r i z e
proeqtis xel mZRVanel i	n. i m n a z e
Seasrul a	g. g e l a S v i l i
Seamowma	

Tari Ri

naxazi

rki nabetoni s standart ul i kanal izaci s Wa.

masStabi	furcel i #	furcl ebi
-----		



formati	stadia	varianti
A3	m.p.	1

pirobitirnisvnebi:

-  asfaltisgza
-  RorRisfena
-  qvisaxreSovani fena
-  adgil obrivi grunti
-  qvisisfena

Senisvnebi

- samuSaoebis warmoebisas dacul i iqnas usafRTxoebis wesebi.
- gamagreba moewyos H=1.70 m CaRrmavebis Semdeg.
- Txrilis gaTxris dros saval debul oageol ogis daswreba.

dankveTi

dakveTa

Semsrul ebeli



S.p.s. "jorjianuoTerendfauri"  
teqnikuri eqspertizis da proeqtirebis  
departamenti - saproeqto samsaxuri  
Tbilisi, medea (mzra) juRelis qulca #10

saproeqtos ufrosi	s. jafariZe
proeqtis xel mZRvaneli	n. imnaZe
Seasrula	g. gelasvili
Seamowma	

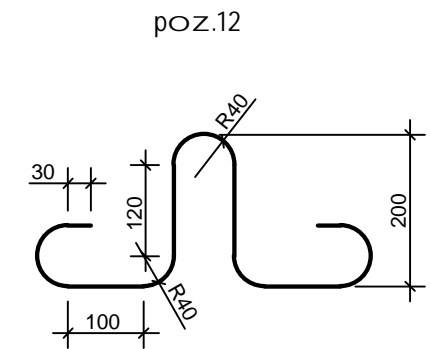
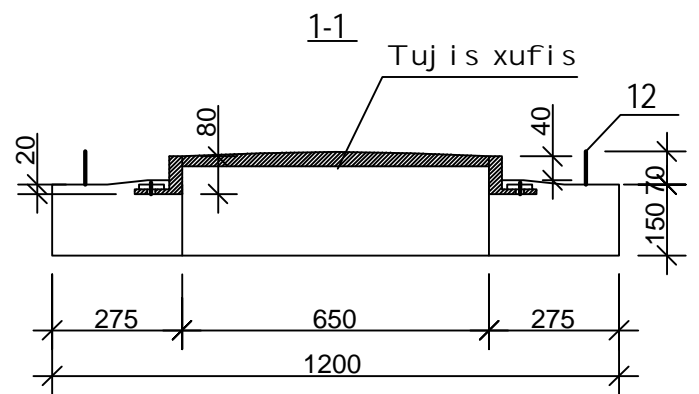
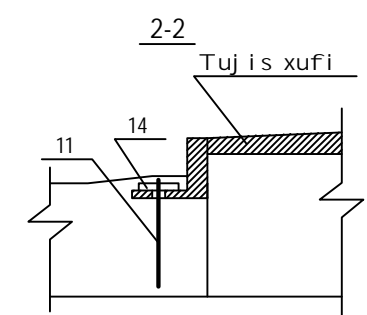
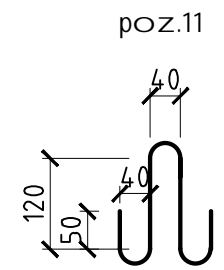
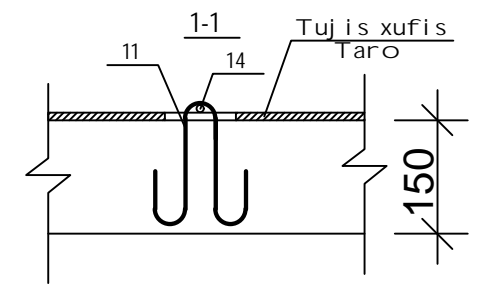
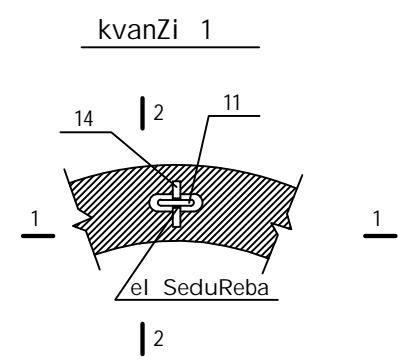
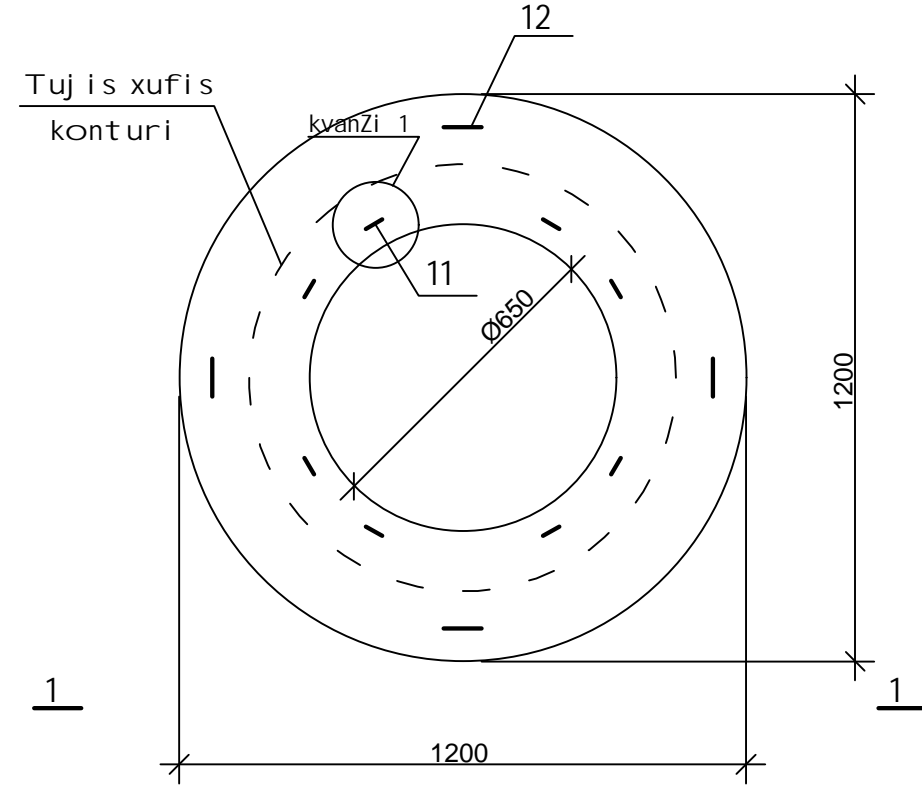
Tari Ri

naxazi

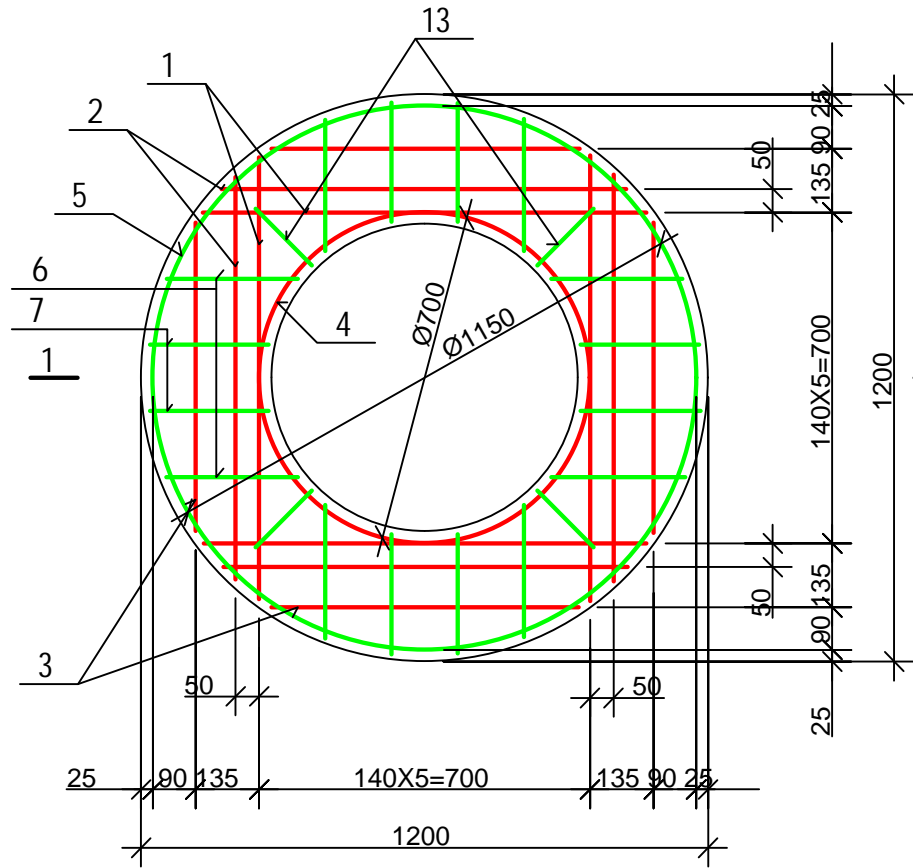
Wis anakrebi rkinabetonis gadaxurvis fila D=1000 mm (sayalibe naxazi)

masStabi	furceli #	furcl ebi
-----		

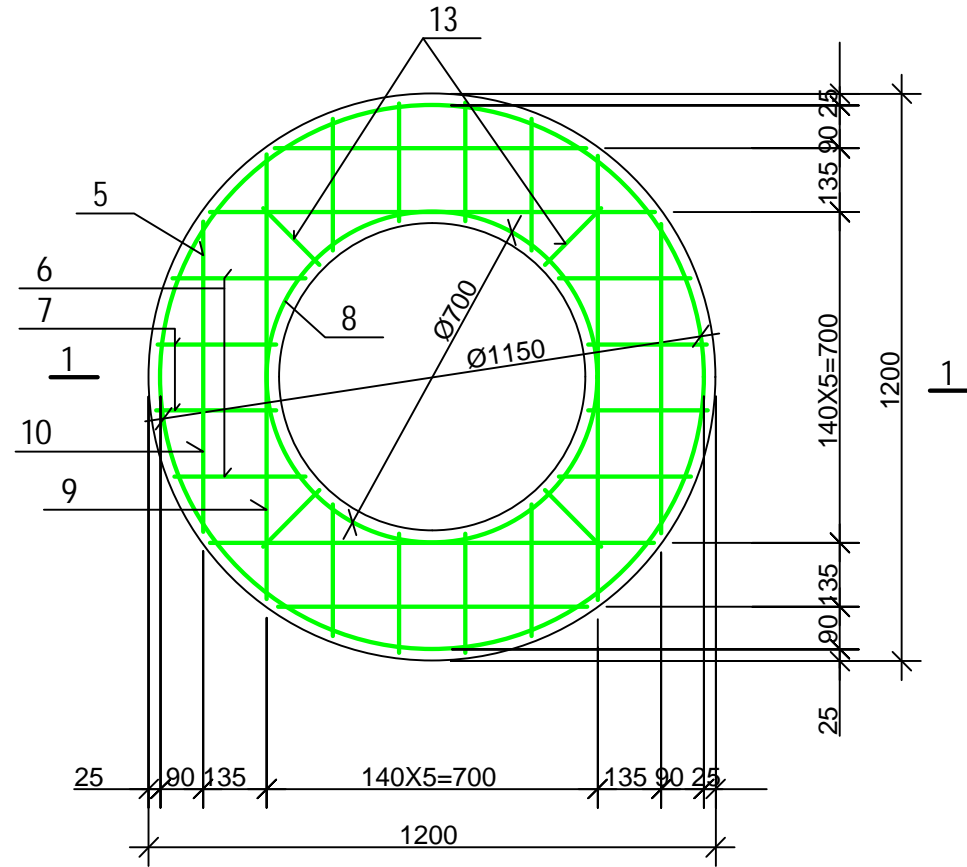
Wis anakrebi rkinabetonis gadaxurvis fila (sayalibe naxazi)



Wis anakrebi rki nabetoni s gadaxurvis fil a  
(qveda Sris armi reba)



Wis anakrebi rki nabetoni s gadaxurvis fil a  
(zeda Sris armi reba)



detal ebi s uwyi si

poz.	eski zi
4	D=700 100 SduRdes
5	D=1150 100 SduRdes
8	D=700 100 SduRdes
9	940 115

formati	stadia	varianti
A3	m.p.	1

pi robi Ti aRni Svnebi :

- asfal tis gza
- RorRis fena
- qvi Sa-xreSovani fena
- adgil obrivi grunti
- qvi Si s fena

Seni Svnebi

1. samuSaoebi s warmoebi sas dacul i i qnas usafrTxoebi s wesebi .
2. gamagreba moewyos H=1.70 m CaRrmavebi s Semdeg.
3. Txrilis gaTxris dros saval debul oa geol ogis daswreba.

dankveTi

dakveTa

Semsrul ebel i



S.p.s. "j orj ian uoTer end faueri"  
teqnikuri eqspertizis da proeqti fobis  
depar tamenti -saproeqto samsaxuri  
Tbil isi, medea (mzra) j uRel is quCa #10

saproeqtos ufrosi	s. j aFariZe
proeqtis xel mZRvanel i	n. i mnaZe
Seasrul a	g. gel aSvil i
Seamowma	

Tari Ri

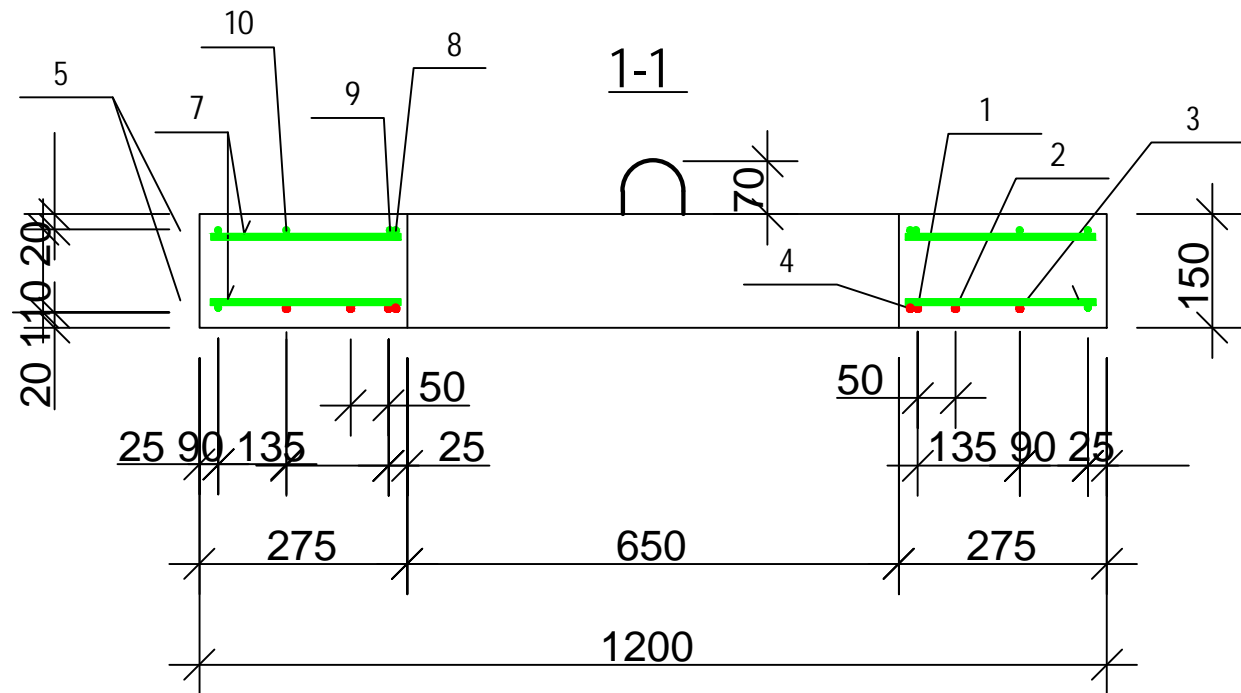
naxazi

Wis anakrebi rki nabetoni s gadaxurvis fil a D=1000 mm  
(armi reba); speci fi kacia

masStabi furcel i # furcl ebi

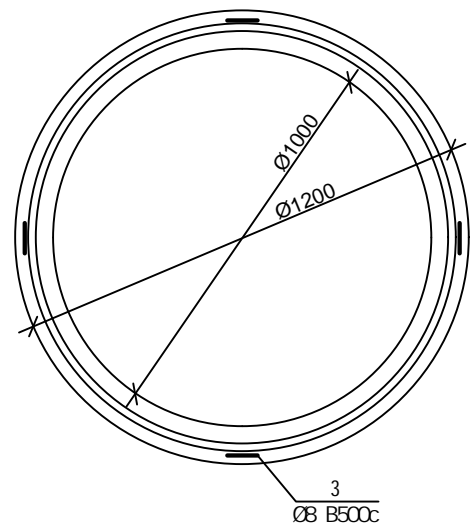
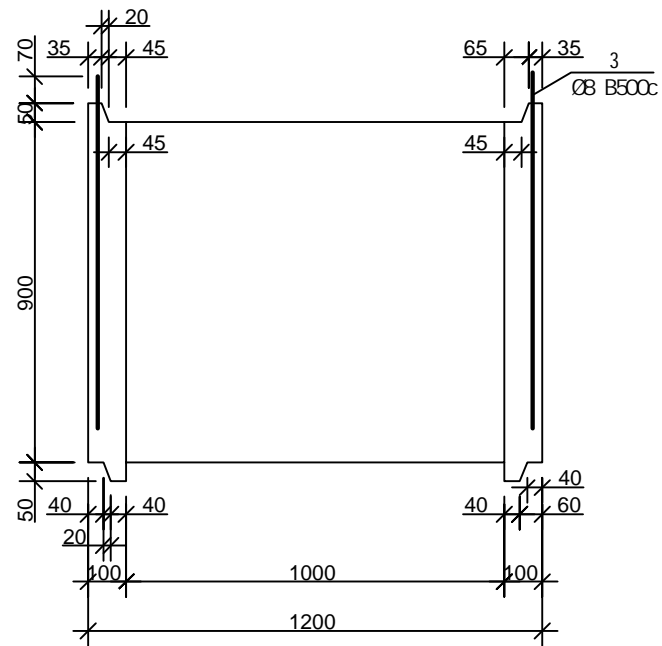
Wis anakrebi rki nabetoni s gadaxurvis fil is speci fi kacia

poz.	a R n i S v n a	d a s a x e l e b a	raod.	masa erT. kg	Seni Svna
detal ebi					
1		Φ 10 A500c L=940	4	0.58	2.33kg
2		L=860	4	0.53	2.13kg
3		L=650	4	0.40	1.60kg
4*		L=2300	1	1.43	1.43kg
14		L=100	8	0.06	0.5kg
5*		Φ 8 B500c L=3710	2	1.48	2.97kg
6		L=280	16	0.11	1.79kg
7		L=250	16	0.10	1.60kg
8*		L=2300	1	0.92	0.92kg
9*		L=1170	4	0.47	1.87kg
10		L=650	4	0.26	1.04kg
11*		L=600	8	0.24	1.92kg
12*		L=1005	4	0.4	1.60kg
13		L=170	8	0.07	0.56kg
masal ebi					
		bet oni kl asi T B25			0.12 m <sup>3</sup>

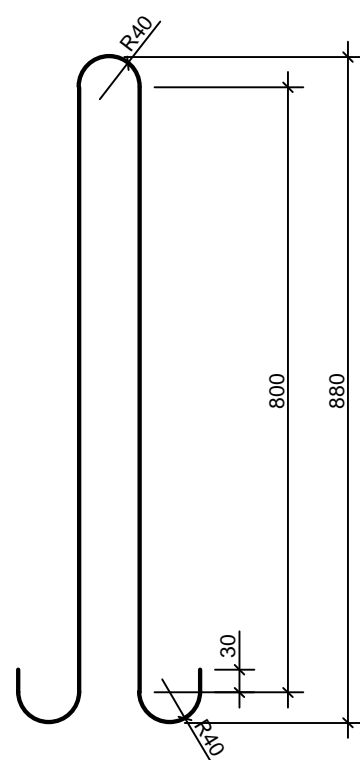




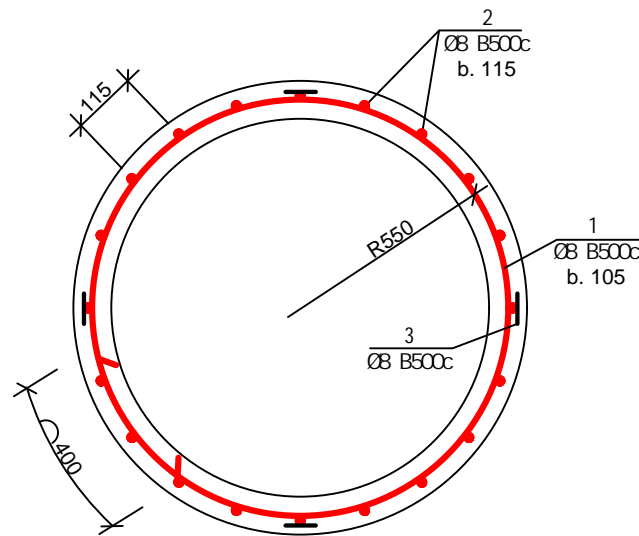
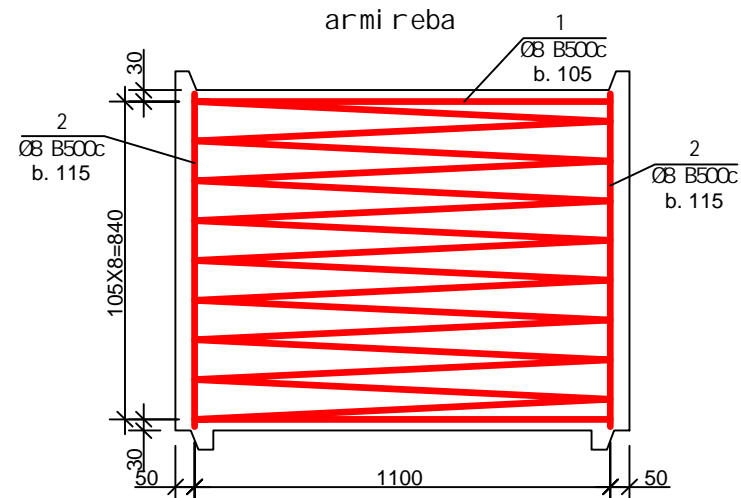
sayal i be naxazi



poz. 3



armi reba



detal ebi s uwyisi

poz.	eski zi
1	R=550 105X8=840

Wis anakrebi rki nabetoni s rgol i s speci fi kaci a

poz.	a R n i S v n a	d a s a x e l e b a	raod.	masa erT. kg	Seni Svna
<u>detal ebi</u>					
1*		φ 8 B500c L=35140	—	—	14.06kg
2*		L=870	30	0.35	10.5kg
3*		L=1980	4	0.79	3.17kg
<u>masal ebi</u>					
		betoni kl asi T B25			0.31 m <sup>3</sup>

format i	stadi a	vari anti
A3	m.p.	1

pi robi Ti aRni Svnebi :

- asfal tis gza
- RorRis fena
- qvi Sa-xreSovani fena
- adgil obrivi grunti
- qvi Si s fena

Seni Svnebi

- samuSaoebi s warmoebi sas dacul i i qnas usafrTxoebi s wesebi .
- gamagreba moewyos H=1.70 m CaRrmavebi s Semdeg.
- Txril is gaTxris dros saval debul oa geol ogi s daswreba.

dankveTi

dakveTa

Semsrul ebel i



S.p.s. "j orj ian uoTer end faueri"  
teqnikuri eqspertizi s da proeqტი febi s  
depar tamenti -saproeqტი samsaxuri  
Tbil isi, medea (mzra) j uRel is quCa #10

saproeqტი os ufrosi	s. j a f a r i z e
proeqტი s xel mZRvanel i	n. i m n a z e
Searsul a	g. g e l a s v i l i
Seamowma	

Tari Ri

naxazi

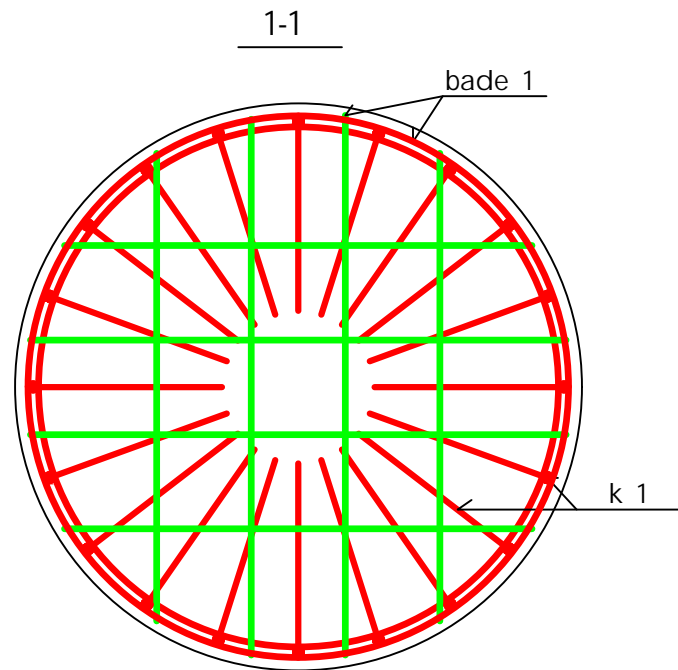
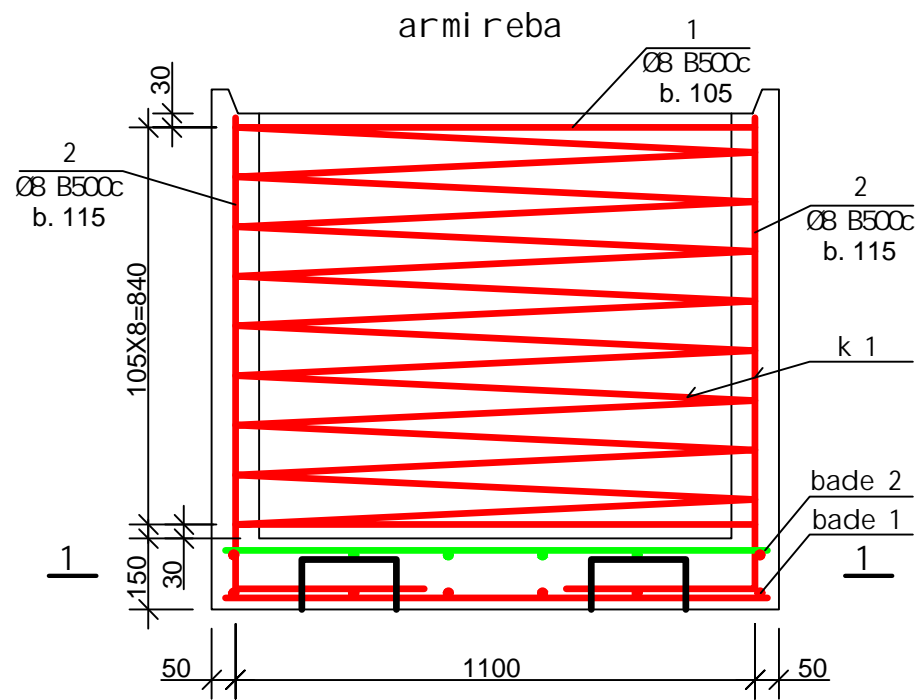
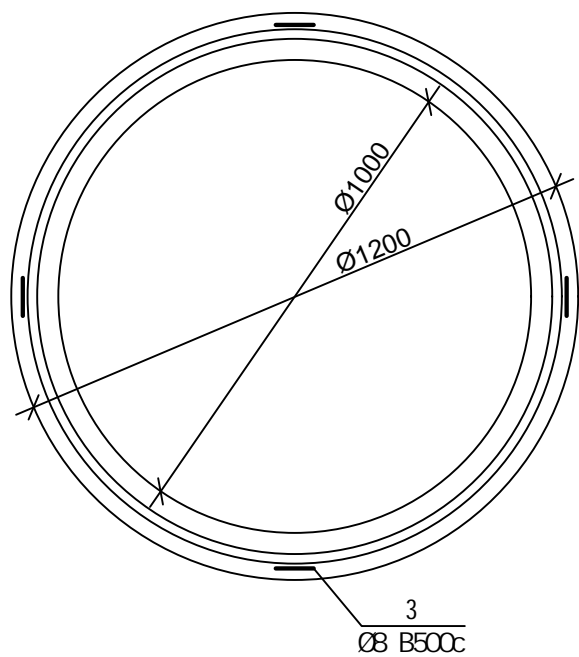
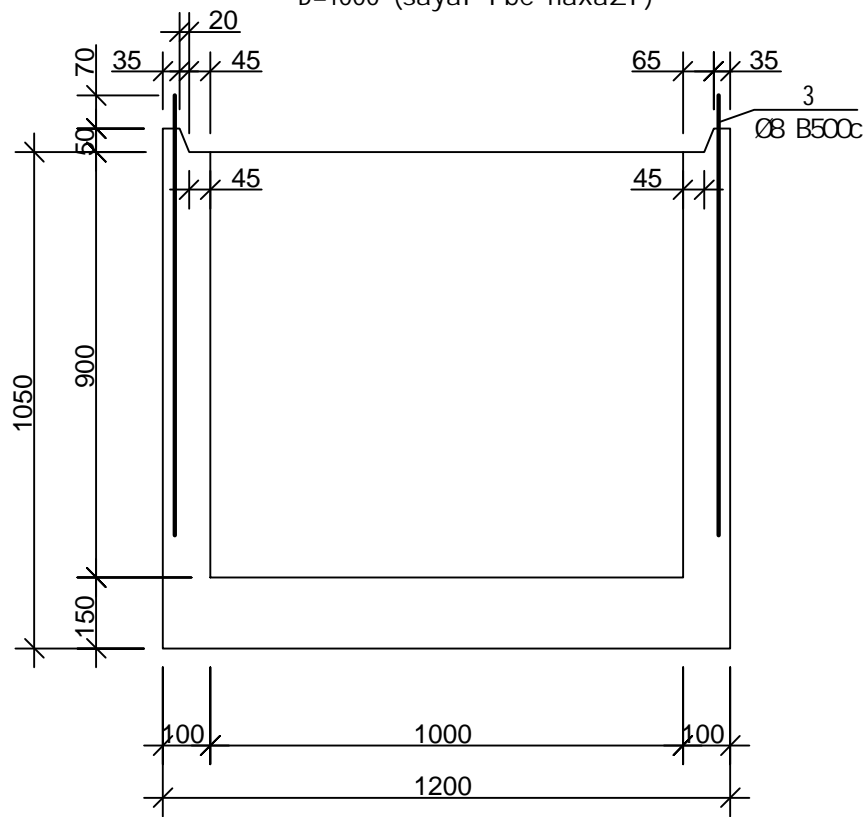
Wis anakrebi rki nabetoni s rgol i D=1000 mm D=900 mm

masStabi furcel i # furcl ebi

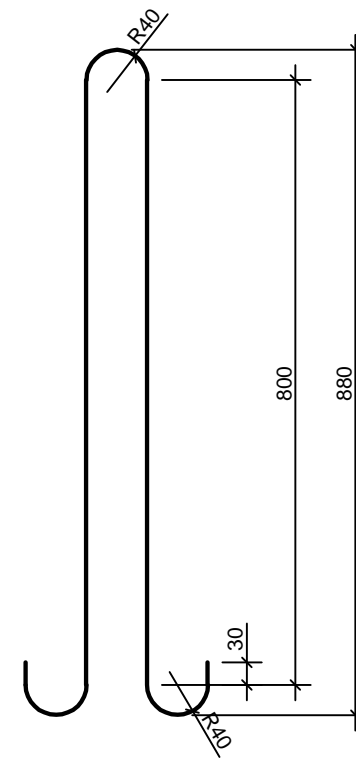
-----		
-------	--	--

Wis anakrebi rki nabetonis rgol i Ziri T

D=1000 (sayal i be naxazi)



poz. 3



formati	stadia	varianti
A3	m.p.	1

pi robi Ti aRni Svnebi :

- asfal tis gza
- RorRis fena
- qvi Sa-xreSovani fena
- adgil obrivi grunti
- qvi Si s fena

Seni Svnebi

1. samuSaoebi s warmoebi sas dacul i i qnas usafrTxoebi s wesebi .
2. gamagreba moewyos H=1.70 m CaRrmavebi s Semdeg.
3. Txril is gaTxris dros saval debul oa geol ogis daswreba.

dankveTi

dakveTa

Semsrul ebel i



S.p.s. "j orj ian uoTer end faueri"  
teqnikuri eqspertizis da proeqტი febi s  
depar tamenti -saproeqტი samsaxuri  
Tbil isi, medea (mzra) j uRel is quCa #10

saproeqტი os ufrosi	s. j afaRi Ze	
proeqტი s xel mZRvanel i	n. i mnaZe	
Seasrul a	g. gel aSvil i	
Seamowma		

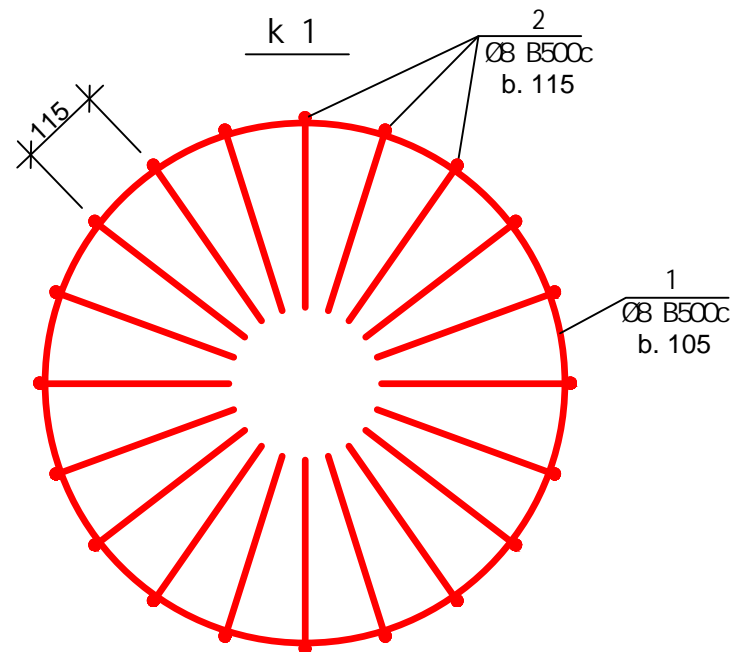
Tari Ri

naxazi

masStabi furcel i # furcl ebi

-----





detal ebi s uwy si

poz.	eski zi
1	
2	
6	
9	

Wi s anakrebi rki nabetoni s rgo l i s Zi ri T speci fi kaci a

poz.	a R ni S v na	d a s a x e l e b a	r a o d.	masa er T. kg	Seni Svna
detal ebi					
1*	k 1	Ø 8 B500c L=27630	—	—	11.05kg
2*	k 1	L=1370	30	0.55	16.5kg
3*		L=1980	4	0.79	3.17kg
4	bade 1	L=1130	4	0.45	1.8kg
5	bade 1	L=990	4	0.4	1.6kg
6*		L=3560	2	1.42	2.85kg
9*		L=780	4	0.31	1.25kg
7	bade 2	Ø 10 A500c L=1130	4	0.70	2.80kg
8	bade 2	L=990	4	0.61	2.46kg
masal ebi					
		betoni kl asi T B25			0.48 m <sup>3</sup>

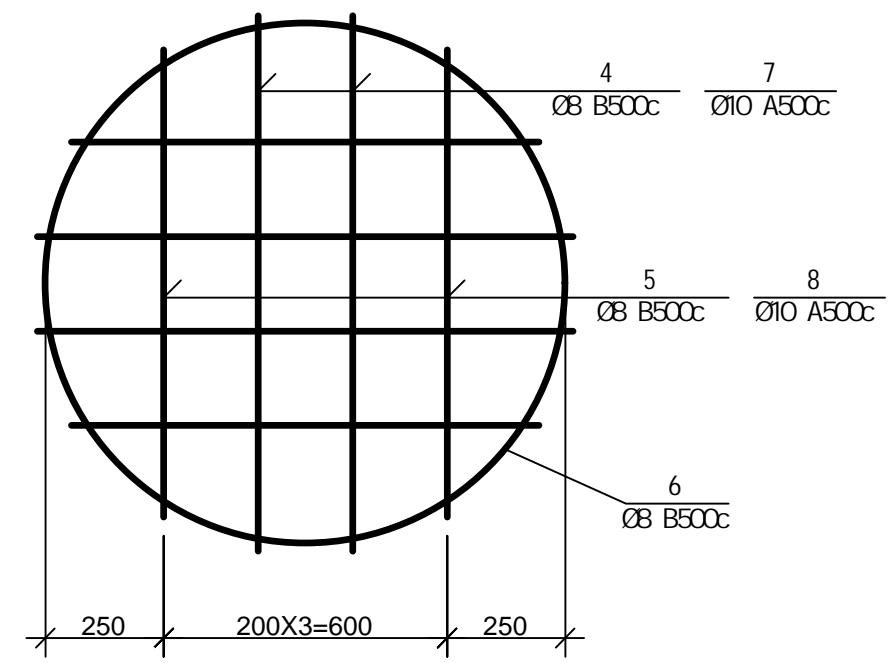
formati	stadia	varianti
A3	m.p.	1

pi robi Ti a R ni S v nebi :

- asfal ti s gza
- Ror Ri s fena
- qvi Sa-xreSovani fena
- adgil obrivi grunti
- qvi Si s fena

- Seni S v ne bi**
- samuSaoebi s warmoebi sas dacul i i qnas usafrTxoebi s wesebi .
  - gamagreba moewyos H=1.70 m CaRrmavebi s Semdeg.
  - Txril is gaTxris dros saval debul oa geol ogi s daswreba.

bade 1; bade 2



dakveTi

dakveTa

Semsrul ebel i

S.p.s. "j orj ian uoTer end faueri"  
teqnikuri eqspertizi s da proeqti febi s  
depar tamenti -saproeqto samsaxuri  
Tbil isi, medea (mzra) j uRel is quCa #10

saproeqto s ufrosi	s. j afaRi Ze
proeqti s xel mZRvanel i	n. i mnaZe
Seasrul a	g. gel aSvil i
Seamowma	

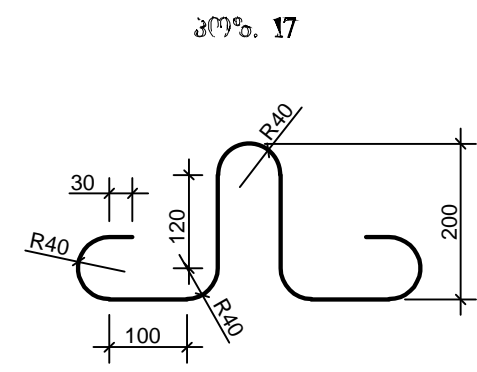
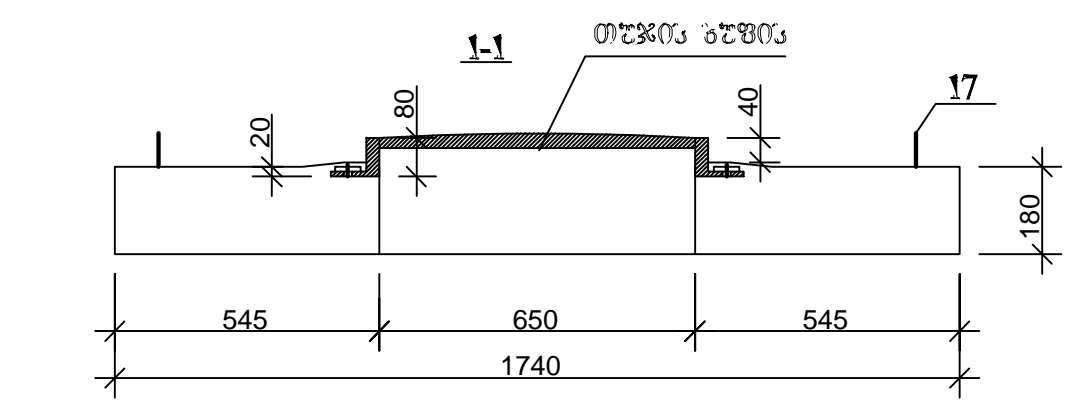
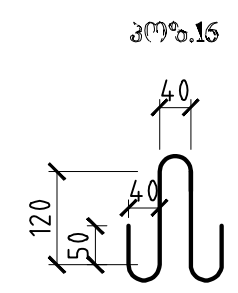
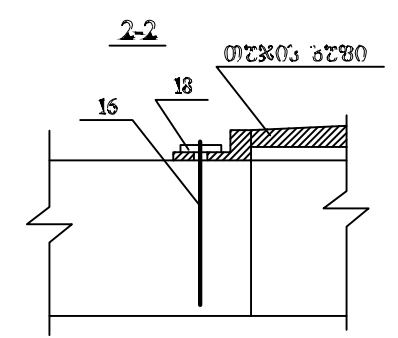
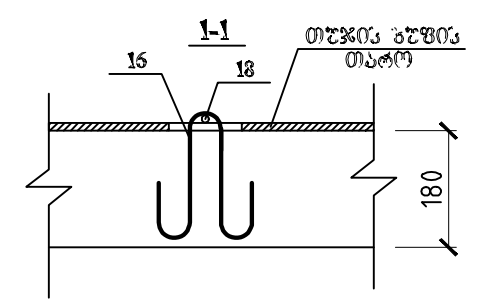
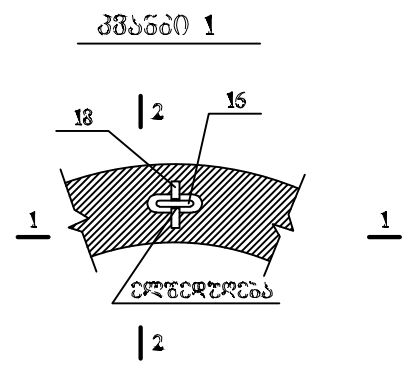
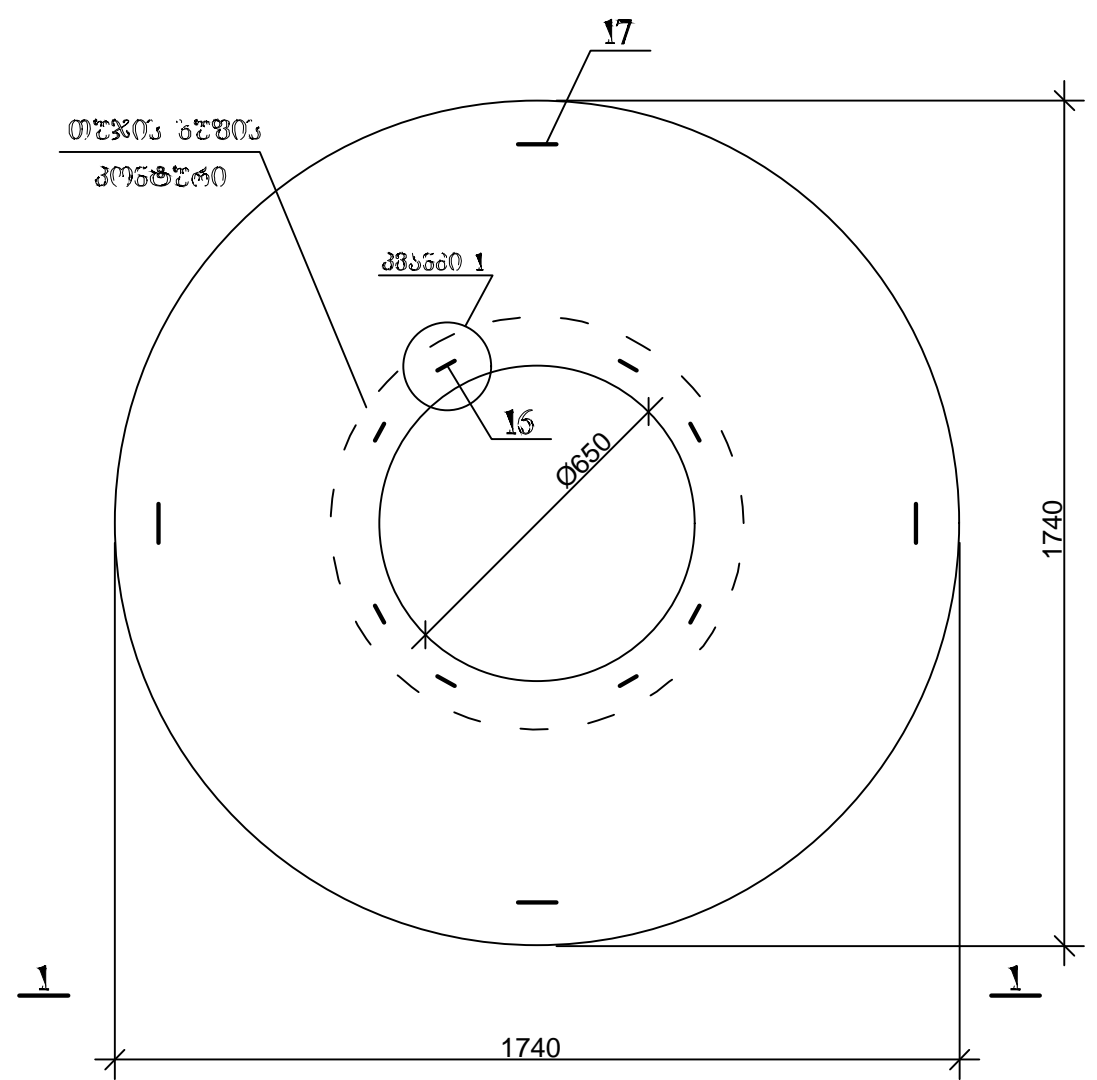
Tari Ri

naxazi

Wi s anakrebi rki nabetoni s rgo l i Zi ri T D=1000 mm speci fi kaci a

masStabi	furcel i #	furcl ebi
-----		

ჭირის ანთაქმედი კომუნალური ინჟინერინგის შიშლი (ანთაქმედი ნაქმედი)



Formati	stadia	varianti
A3	m.p.	1

პირობითი არსი სენები:

- asfaltის გზა
- რორის ფენა
- კვისა-ხრესოვანი ფენა
- ადგილობრივი გრუნტი
- კვისის ფენა

- სენი სენები**
- სამუშაოების წარმოებისას დატვირთვების წესები.
  - გამაგრება მოეწოდება H=1.70 m კარმანების შემდეგ.
  - ტრისგანტრის დროს საღებავი და გეოლოგიის დასწრება.

დამკვეთი

დამკვეთი

Semსრული ებელი

S.p.s. "Jorjiani Uterend Faueri"  
 ტექნიკური ექსპერტიზის და პროექტირების  
 დეპარტამენტი - სპროექტო სამსახური  
 Tbilisi, medea (mzia) juRel is quCa #10.

საქალაქის მერის სამსახური	ს. ჯაფარიძე
პროექტის მხარდამხმარებელი	ნ. იმნაძე
სამსახური	გ. გელასვილი
სამსახური	

Tარი

naxazi

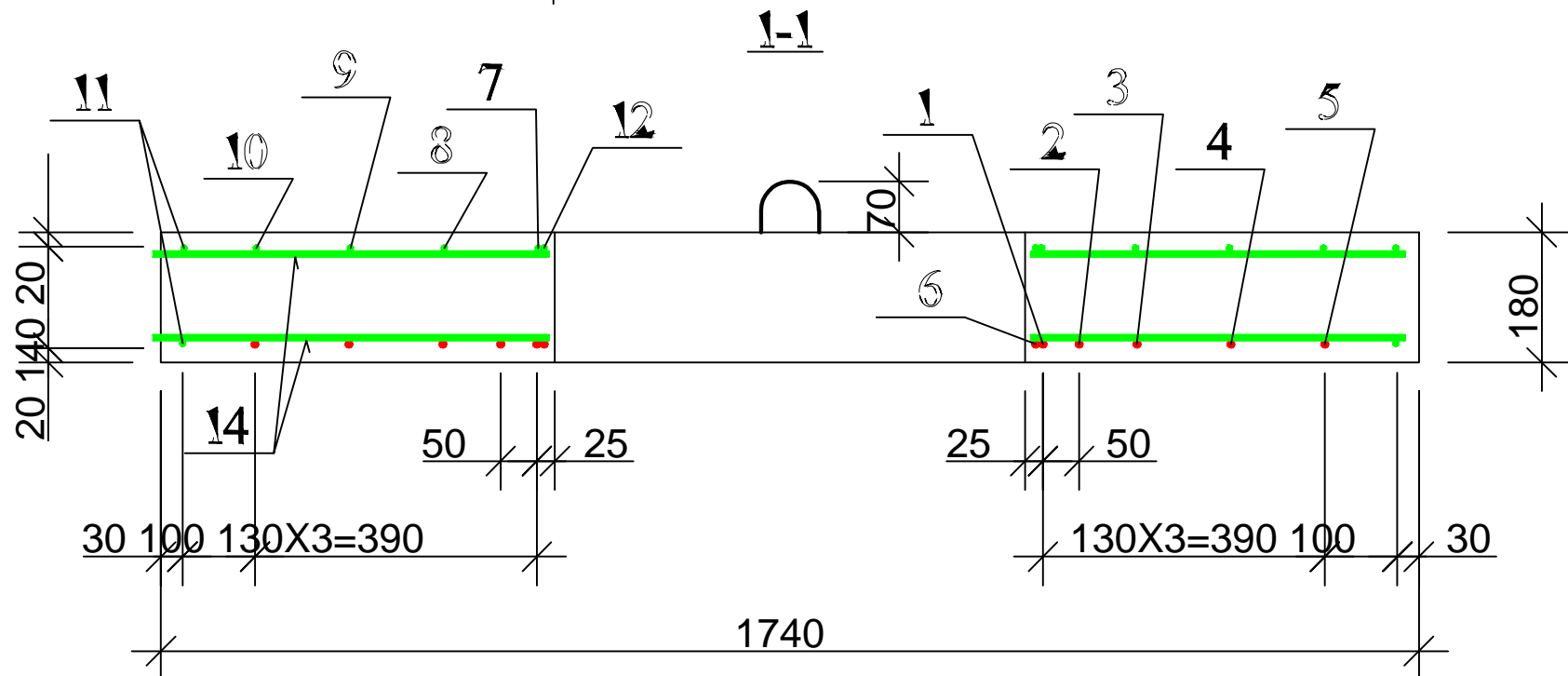
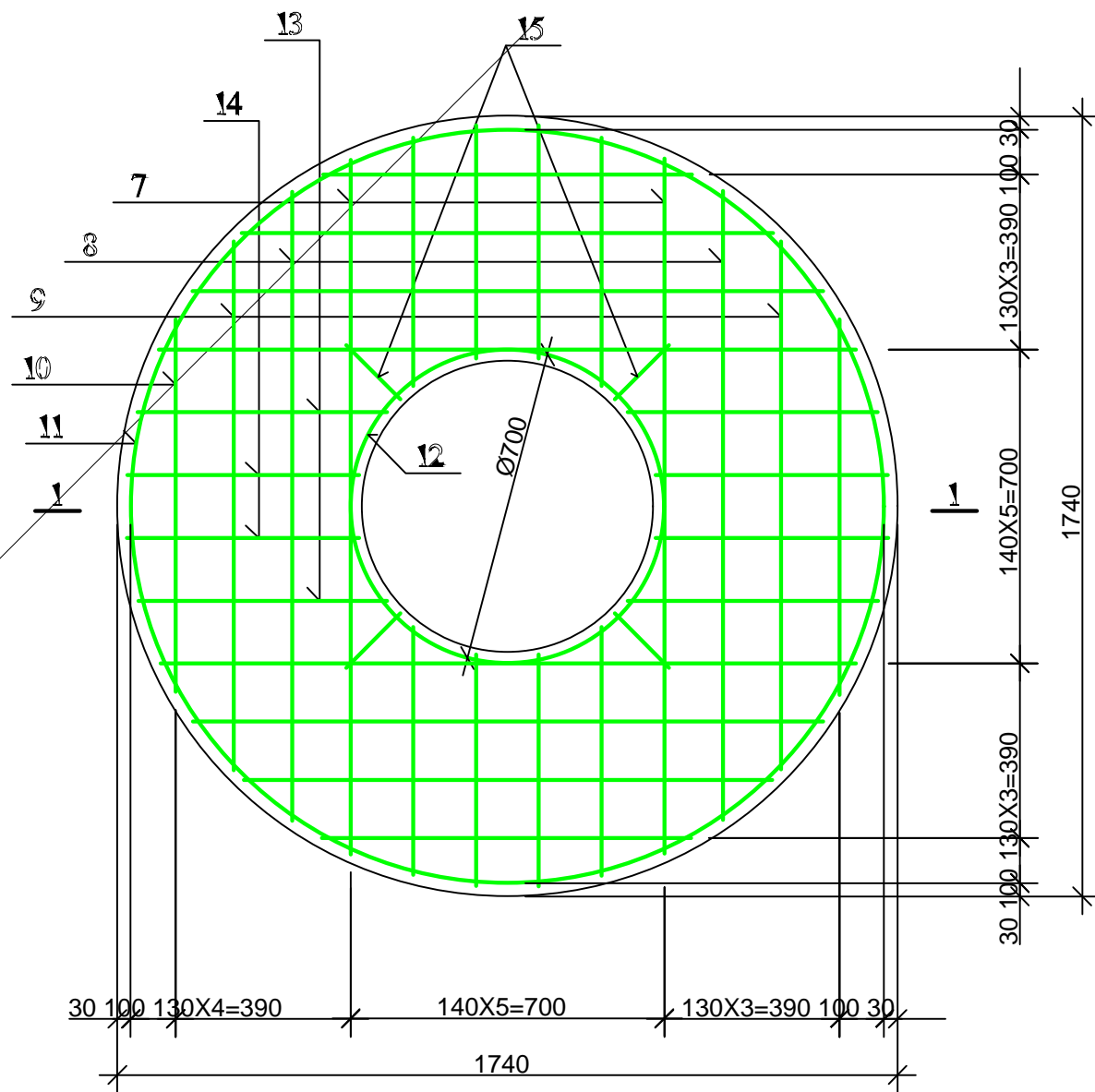
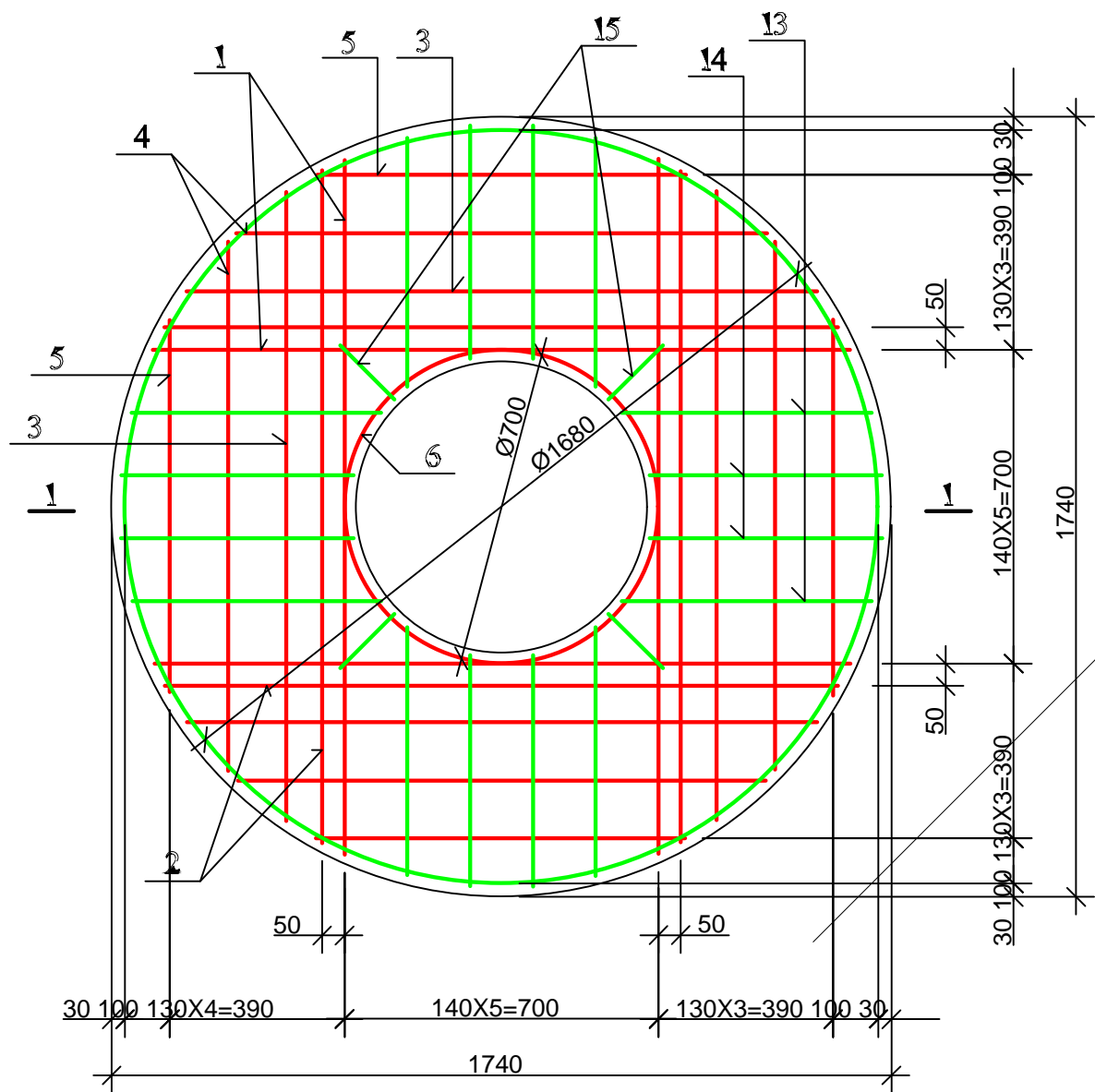
ვისანაკრები რკინაბეტონის  
 გადახურვის ფილა 500 mm  
 (საღებავი და ნახაზი)

მასშტაბი	ფურცელი #	ფურცლები
----		



ჭონ ანაპტეპი ტპონანბეტიონის ბაღანახტმის ზომის  
(ქვედა ნაწილი)

ჭონ ანაპტეპი ტპონანბეტიონის ბაღანახტმის ზომის  
(ზედა ნაწილი)



Formati A3 stadia m.p. varianti 1

პირობები და სპეციფიკაცია:

- asfaltის გზა
- რორის ფენა
- კვითხროვანი ფენა
- ადგილობრივი გრუნტი
- კვისი ფენა

სენისპეციფიკაცია

1. სამუშაოების დასრულების შემდეგ უნდა დაყაროს საფარი და დაიწყოს მოვლა.
2. გამოყენებული იქნება H=1.70 მ კარმანის სემდეგ.
3. ტერიტორიაზე დროულად დაიწყოს გეოლოგიური დასწრება.

დამკვეთი

დამკვეთი

სემსრული მხარე



S.p.s. "Jorjian uo Terend fauri"  
ტექნიკური ექსპერტიზის და პროექტირების  
დეპარტამენტი - საპროექტო სამსახური  
თბილისი, მედია (მზია) ქუჩის კუჩა #10.

საპროექტო მხარე	ს.ჯაფარიძე	
პროექტის მხარე	ნ.იმნაძე	
სემსრული მხარე	გ.გელაშვილი	
სემსრული მხარე		

ტარი

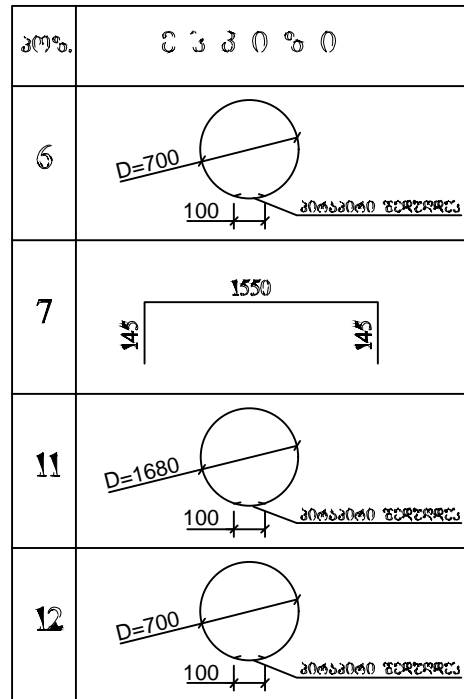
ნახაზი

ვისანაკრები რკინაბეტონის  
გადხურვის ფილა №500 მმ  
(არმირება)

მასშტაბი	ფურცელი #	ფურცლები
----		

ჭირს სანაკრებში რკინაბეტონის მარჯვენა მხარის ფილტვის სპეციფიკაცია

დეტალების უწყვეტი



პოზ.	ს აღ ნ ი ზ მ რ ა	დ ა ნ ა ბ ე ლ ე ბ ა	ტ ა ო ლ .	მ ა შ ა ე ტ ო . კ მ	ვ ე ნ ი ზ მ რ ა
		<u>დეტალები</u>			
1		φ 12 A500c L =1550	4	1.38	5.52კმ
2		L=1500	4	1.34	5.34კმ
3		L=1410	4	1.25	5.02კმ
4		L=1180	4	1.05	4.20კმ
5		L=820	4	0.73	2.92კმ
6*		L=2300	1	2.05	2.05კმ
7*		φ 8 B500c L=1840	4	0.74	2.94კმ
8		L=1410	4	0.56	2.26კმ
9		L=1180	4	0.47	1.89კმ
10		L=820	4	0.33	1.31კმ
11*		L=5330	2	2.15	4.30კმ
12*		L=2300	1	0.92	0.92კმ
13		L=560	16	0.22	3.58კმ
14		L=520	16	0.21	3.33კმ
15		L=170	8	0.07	0.56კმ
16*		L=600	8	0.24	1.92კმ
17*		L=1005	4	0.4	1.60კმ
18		φ 10 A500c L=100	8	0.06	0.5კმ
		<u>მასალები</u>			
		ბეტონი კლასით B25			0.37 მ <sup>3</sup>

formati	stadi	varianti
A3	m.p.	1

პირობები:

- asfaltis gza
- RorRis fena
- qvi Sa-xreSovani fena
- adgil obrivi grunti
- qvi Si s fena

- Seni Svnebi**
- samuSaoebis warmoebi sas dacul i iqnas usafrTxoebis wesebi.
  - gamagreba moewyos H=1.70 m CaRrmavebis Semdeg.
  - Txrilis gaTxris dros saval debul oa geol ogis daswreba.

dankveTi

dakveTa

Semsrul ebel i

S.p.s. "Jorjian uoTer end fauri"  
 "teqnikuri" eqspertizis da proeqტი rebi s  
 departamenti -saproeqტი samsaxuri  
 Tbilisi, medea (mzia) juRel is quCa #10.

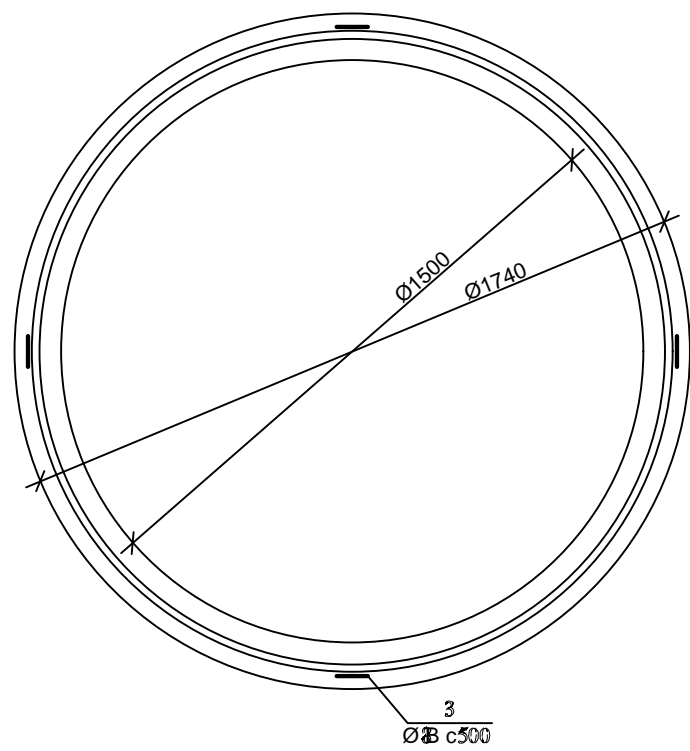
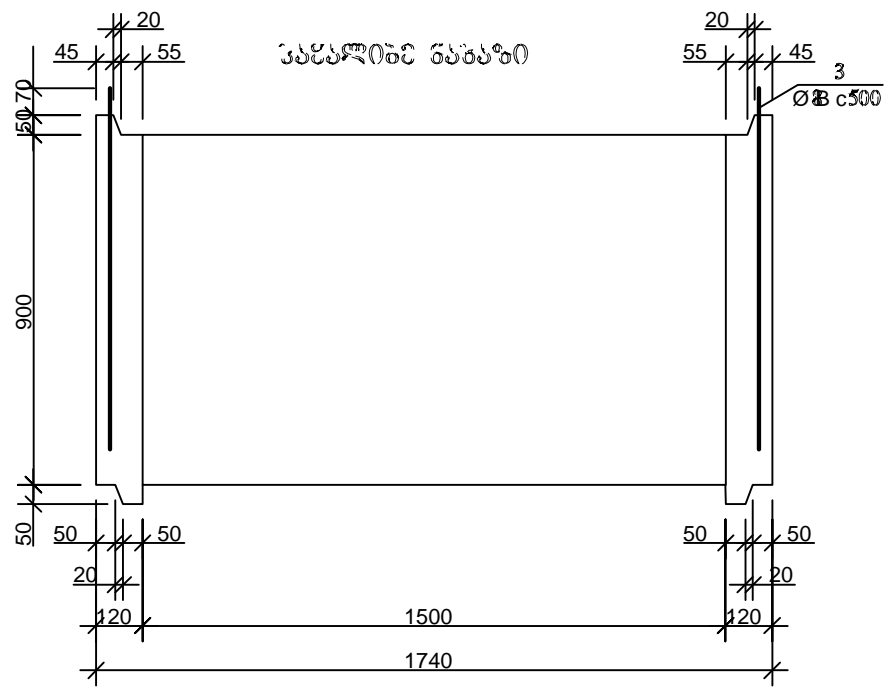
sap. axal i mi er. sam. ufrosi	s. jafariZe
proeqტი s xel mZRvanel i	n. imnaZe
Seasrul a	g. gel aSvil i
Seamowma	

Tari Ri

naxazi

Wis anakrebi rkinabetonis gadaxurvis fil a B500 mm (specifikacia)

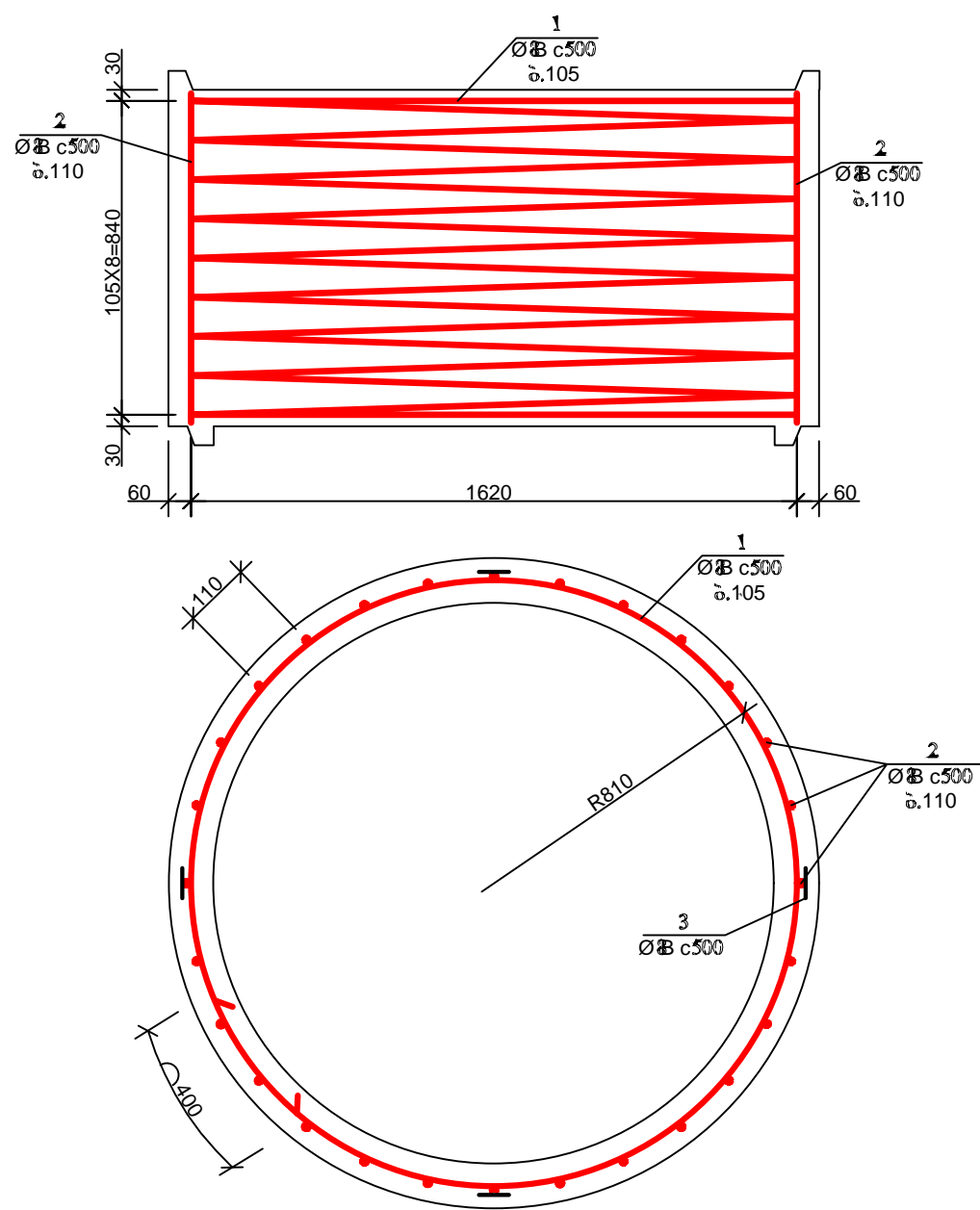
masStabi	furcel i #	furcl ebi
----		



დეტალური ხედი

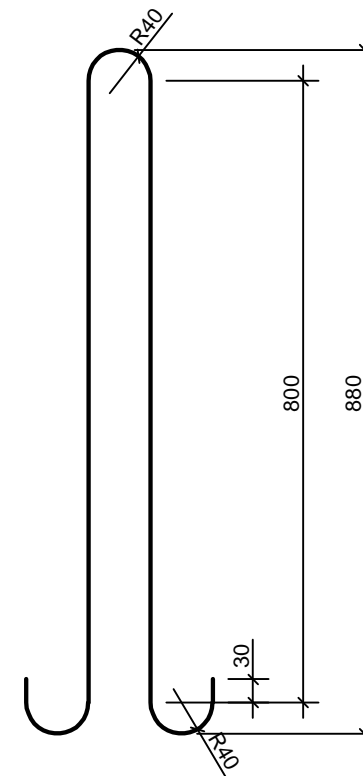
პოზ.	ცნობი
1	R=810 105x8=840

პლან



პლანის დეტალი

პოზ. 3



პოზ.	აღნიშვნა	დასახელება	ტოლ.	ნახა ერთ. კმ	ხანგრძლივება
<u>დეტალები</u>					
1#		Φ 8 B500c L =51468	—	—	20.59კმ
2#		L=870	45	0.35	16.1კმ
3#		L=1980	4	0.79	3.17კმ
<u>ნახალები</u>					
		ბეტონი კლასით B25			0.55 მ <sup>3</sup>

Formati	stadia	varianti
A3	m.p.	1

- პირობები:
- ასფალტის გზა
  - რორის ფენა
  - კვითხვენი ფენა
  - ადგილობრივი გრუნტი
  - კვისი ფენა

- სენისებები
- სამუშაოების დასრულების შემდეგ უნდა დაყაროს საფარი და დასრულდეს.
  - გამგებამოვლის სიღრმე H=1.70 მ კარმების შემდეგ.
  - ტრისგარეშის დროს საფარი და გეოლოგიის დასრულება.

დამკვეთი

დაკვეთა

სემსრული

S.p.s. "Jorjian uo Ter end fauri"  
 ტექნიკური ექსპერტიზის და პროექტირების  
 დეპარტამენტი - სპროექტო სამსახური  
 Tbilisi, medea (mzia) juRel is quCa #10.

საპროექტო მომსახურე	ს.ჯაფარიძე
პროექტის მომსახურე	ნ.იმნაძე
სემსრული	გ.გელასვილი
სემსრული	

ტარი

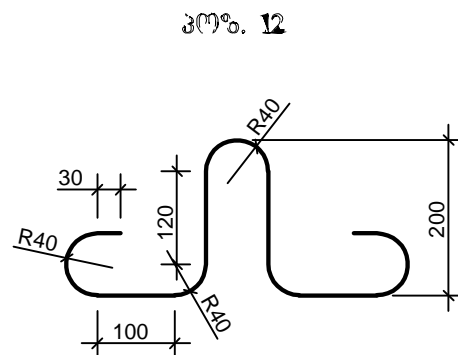
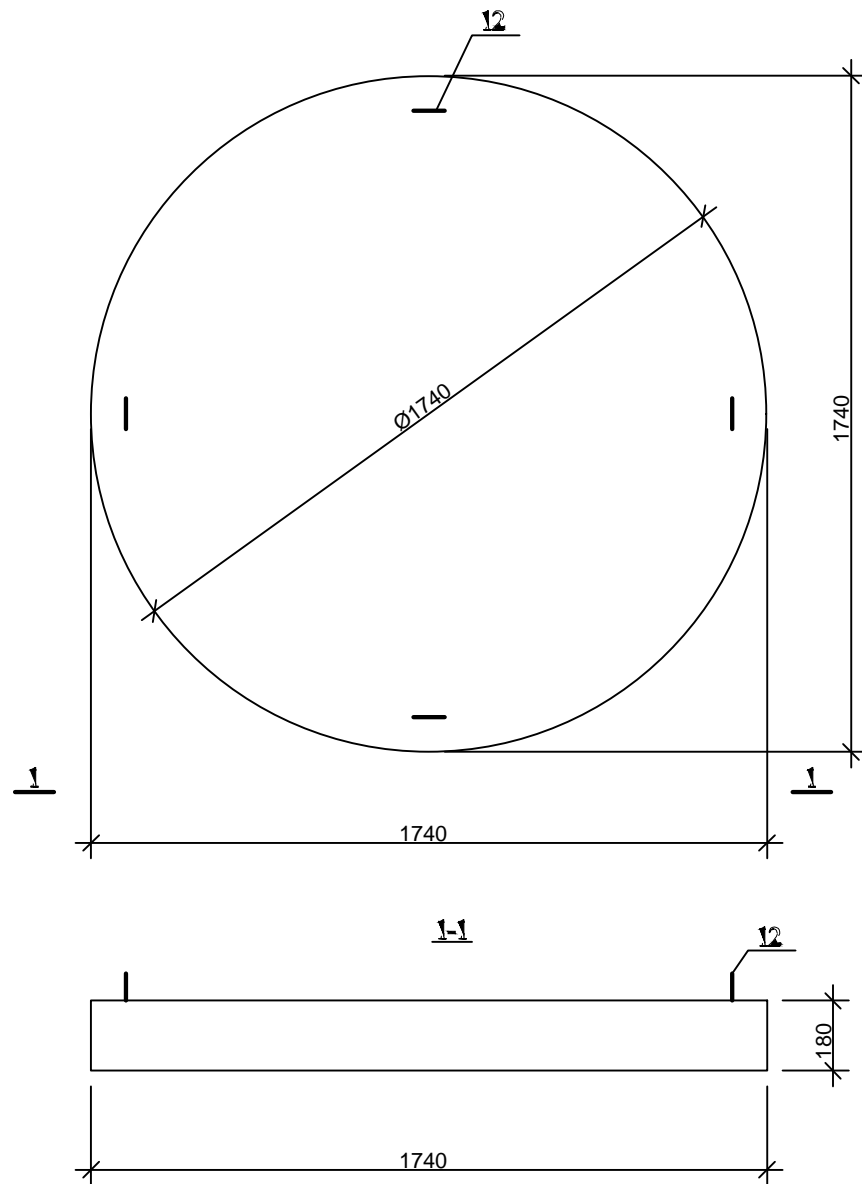
ნახა

ვისანაკრები რკინაბეტონის  
 გოლი 1500 mm 800 mm

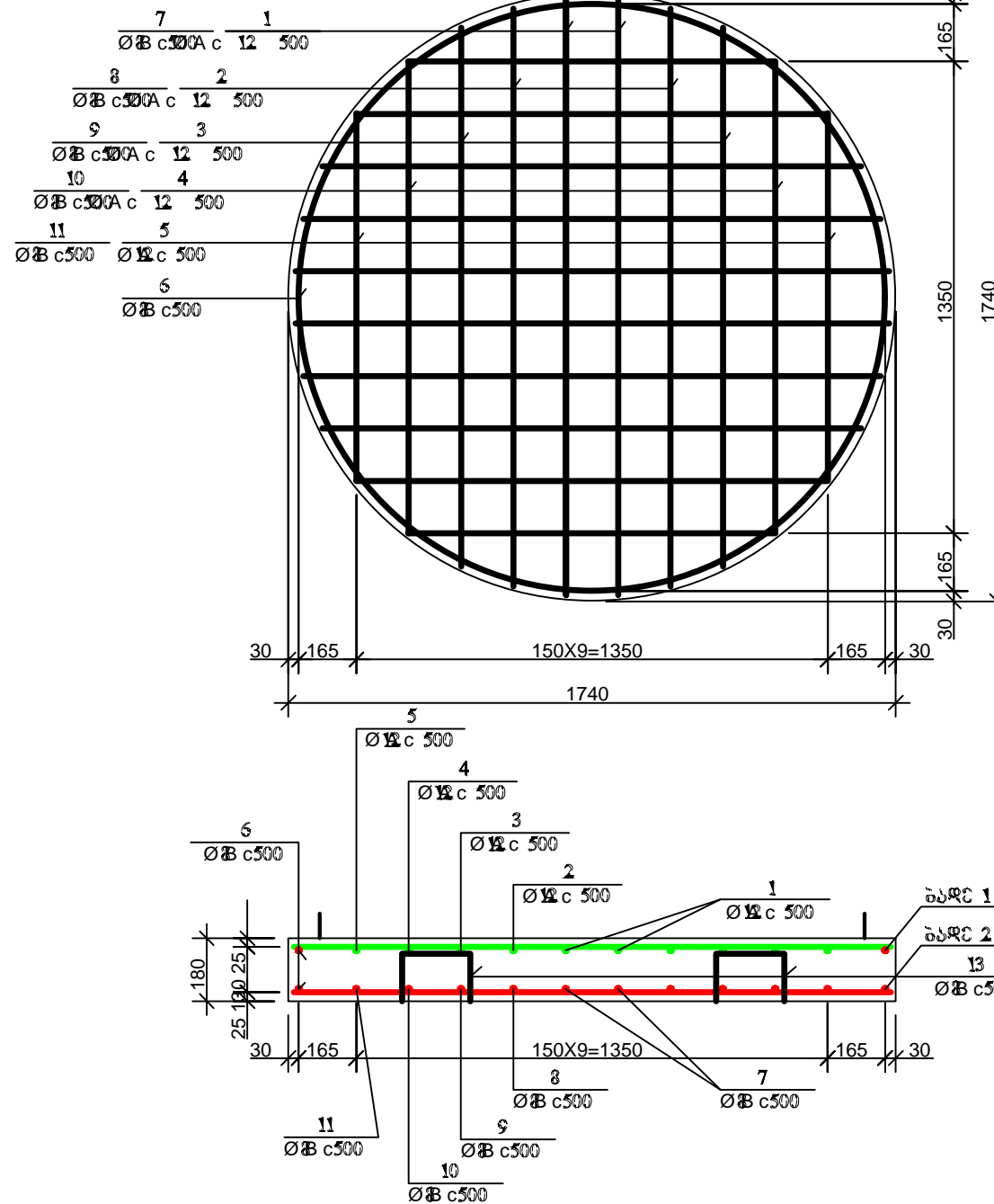
მასტაბი	ფურცელი #	ფურცლები
----		



30% ანაკრები ტვირთბეჭედი D=1500  
(ანაკრები ნაპაწი)



პროექტი  
ფურცელი 1; ფურცელი 2



formati	stadia	varianti
A3	m.p.	1

- პირობები:
- asfaltის გზა
  - რორის ფენა
  - კვითხვეთის ფენა
  - ადგილობრივი გრუნტი
  - კვისის ფენა

- სენისებები
- სამუშაოების ვარჯიშის დასრულების შემდეგ.
  - გამაგრება მოვლას H=1.70 m კარმარების შემდეგ.
  - ტვირთის გატარის დროს სავალი და გეოლოგიის დასწრება.

დამკვეთი

დაკვეთა

სემსრული

S.p.s. "Jorjian Uotend Faueri"  
ტექნიკური ექსპერტიზის და პროექტირების  
დეპარტამენტი - საპროექტო სამსახური  
Tbilisi, medea (mzia) j uRel is quCa #10.

საპროექტო სამსახური	ს.ჯაფარიძე	
პროექტის ხელმძღვანელი	ნ.იმნაძე	
სემსრული	გ.გელაშვილი	
სემსრული		

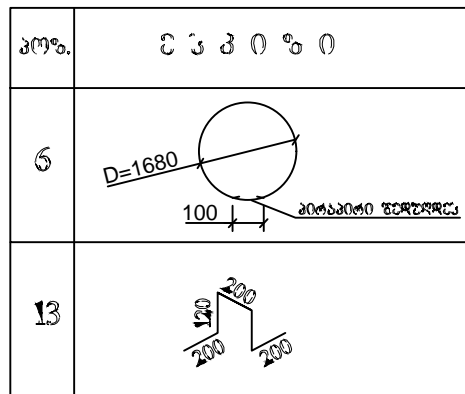
ტარი

ნაქაზი

ვისანაკრები რკინაბეტონის  
ზირი 1500 mm

მასშტაბი	ფურცელი #	ფურცლები
----		

დეტალები უწყობი



შენიშვნები კონსტრუქციის მიხედვით

პოზ.	სადაცაა	მასალა	სიგრძე	მასა	ხარისხი	ფასი
<u>დეტალები</u>						
1	ბაზა 1	φ 12 A500c	L=1700	4	1.51	6.04 კგ
2	ბაზა 1		L=1660	4	1.48	5.92 კგ
3	ბაზა 1		L=1540	4	1.37	5.48 კგ
4	ბაზა 1		L=1350	4	1.20	4.8 კგ
5	ბაზა 1		L=1050	4	0.93	3.72 კგ
6*		φ 8 B500c	L=5400	2	2.16	4.32 კგ
7	ბაზა 2		L=1700	4	0.68	2.72 კგ
8	ბაზა 2		L=1660	4	0.66	2.64 კგ
9	ბაზა 2		L=1540	4	0.62	2.48 კგ
10	ბაზა 2		L=1350	4	0.54	2.16 კგ
11	ბაზა 2		L=1050	4	0.42	1.68 კგ
12*			L=1005	4	0.4	1.60 კგ
13*			L=840	4	0.34	1.34 კგ
<u>მასალები</u>						
		ბეტონი კლასით B25				0.43 მ <sup>3</sup>

Formati	stadia	varianti
A3	m.p.	1

პირდაპირი წერტილი:

- asfal tis gza
- RorRis fena
- qvi Sa-xreSovani fena
- adgil obrivi grunti
- qvi Si s fena

- Seni Svnebi**
- samuSaoebis warmoebis dacul i iqnas usafRTxoebis wesebi.
  - gamagreba moewyos H=1.70 m CaRrmavebis Semdeg.
  - Txrilis gaTxris dros saval debul oa geol ogis daswreba.

dankveTi

dakveTa

Semsrul ebel i

S.p.s. "Jorjian uoTer end faueri"  
 "teqnikuri eqspertizis da proeqტირების  
 departamenti -saproeqტირების  
 Tbilisi, medea (mzia) juRel is quCa #10.

sap. axal i mi er. sam. ufrosi proeqტირის xel mZRvanel i	s. jafariZe	
Seasrul a	n. imnaZe	
Seamowma	g. gel aSvil i	

Tari Ri

naxazi

Wis anakrebi rkinabetonis Ziri B500 mm (specifikacia)

masStabi	furcel i #	furcl ebi
----		